



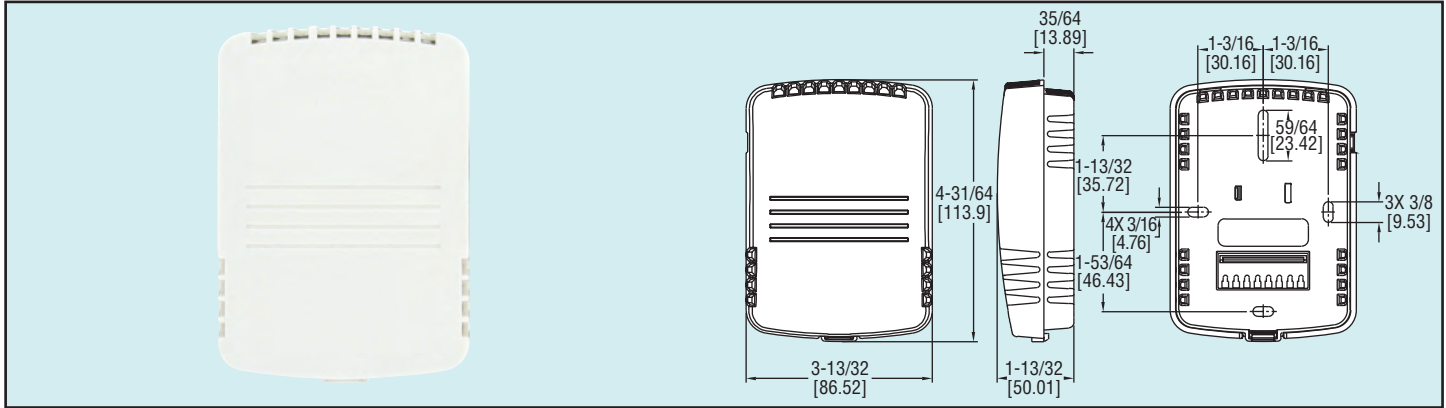
Series
TE-W

Wall Mount Temperature Sensor

Discrete Wall Mount Housing

TEMPERATURE

Temperature Sensors



The Series TE-W Wall Mount Temperature Sensor provides a low cost temperature input for any building management system. With large vents in the housing for proper air flow, the sensor accurately measures the ambient temperature in hotel rooms or office buildings. Multiple mounting holes on the wall plate allow for mounting to numerous surfaces.

SPECIFICATIONS

Accuracy:

Thermistor temp sensor: $\pm 0.22^{\circ}\text{C}$ @ 25°C ($\pm 0.4^{\circ}\text{F}$ @ 77°F);

RTD temp sensor: DIN class B; $\pm 0.3^{\circ}\text{C}$ @ 0°C ($\pm 54^{\circ}\text{F}$ @ 32°F).

Operating Temperature: -40 to 140°F (-40 to 60°C).

Housing Material: ABS plastic.

Weight: 0.3 lb (136 g).

Model	Sensor Type
TE-WND-A	10K Ohm Type III Thermistor
TE-WND-B	10K Ohm Type II Thermistor
TE-WND-C	3K Ohm Thermistor
TE-WND-D	Pt100 Ohm RTD
TE-WND-E	Pt1000 Ohm RTD
TE-WND-F	20K Ohm Thermistor
TE-WND-G	1.8K Ohm Thermistor

Resistance vs Temperature Table

See page 299.