

KYTOLA® OILCOL Oil Color Analyzer is an online instrument based on visible light absorbance (transmittance) to indicate the ASTM D1500 color value of oil.



## OIL COLOR ANALYZER OILCOL

- Online oil color analyzer
- ASTM D1500 scale from 0.5 to 8.0
- Display resolution 0.1
- Accuracy  $\pm 0.3$  (as the ASTM scale step is 0.5)
- Online measurement with a response time of 4 s
- Easy to install
- Sturdy construction
- Serial connection (Modbus)
- 4 – 20 mA output

ISO 9001:2008 ISO 14001:2004

### APPLICATIONS

Wide variety of liquid petroleum products:

---

Lubricating oils

---

Heating oils

---

Diesel fuel oils

---

Mineral insulating oils

---

Hydraulic oils

### INDUSTRIES

Where it is essential to know the ASTM color of oil:

---

Petrochemical industry

---

Offshore and marine

---

Pulp and paper

---

Steel mills

---

Mining

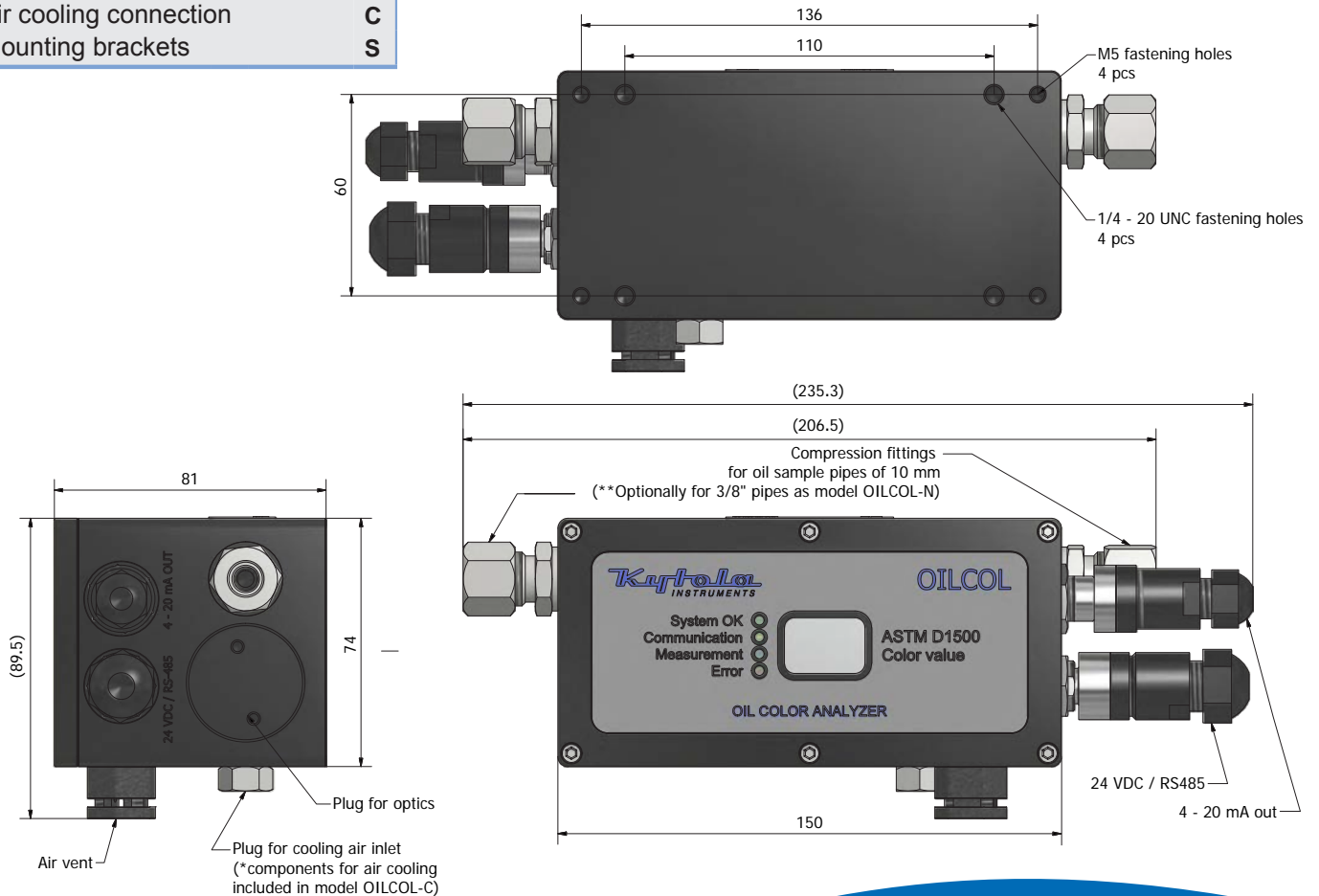
---

Power plants

Model	OILCOL
Measuring range	ASTM D1500 scale from 0.5 to 8.0
Accuracy	±0.3 (as the ASTM D1500 scale step is 0.5)
Oil connections	10 mm or 3/8" compression fitting
Air cooling connection	8/6 mm (OD/ID) hose
Display	LED, 7 segments, 2 digits
Max pressure	20 bar
Oil purity classification	16/13, ISO 4406
Oil viscosity range	0—500 cSt
Oil and ambient temperature	−20°C...+60°C (−20°C...+70°C with cooling option)
Communication	Modbus RTU (RS485)
Supply voltage	24 VDC
Supply current	0.1 A max
Current output	4—20 mA
Enclosure	Aluminium
IP Class	IP65
Weight	1.95 kg

## OILCOL-

Connections	
10 mm OD compression fitting	N
3/8" OD compression fitting	
Options	
Air cooling connection	C
Mounting brackets	S



Copyright © Kytola Instruments Oy 2015. Dimensions and measurements are given within normal tolerances. Manufacturer reserves the right to changes without prior notification. Published 6/2015.



www.kytola.com



ISO 9001=ISO 14001

**Kytola Instruments Oy**  
 Olli Kytölään tie 1  
 FI-40950 Muurame, Finland  
 Tel. +358 20 779 0690  
 Fax +358 14 631 419  
 E-mail info@kytola.com