

Kytola® Oval Gear Meter model SRO is designed for oil flow measurement at high flow rate in demanding industrial environments.



- For oil
- Flow rates from 10 L/min up to 200 L/min
- Large viscosity range 30–1000 cSt
- Pulse output
- Robust transparent cover provides highly visible oil flow indication

ISO 9001:2008 ISO 14001:2004

OVAL GEAR METER SRO

The model SRO Oval Gear Meter is a positive displacement meter, which always shows the correct flow rate regardless of oil temperature or viscosity changes.

FEATURES

- Independent of viscosity changes
- Sturdy construction

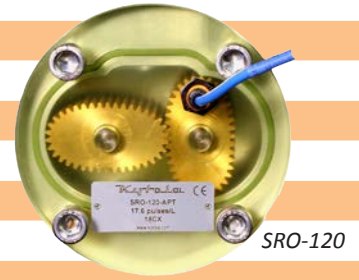
TYPICAL APPLICATIONS

- Lubrication oil flow monitoring
- Industrial flow monitoring
- Process control

OPTIONS

- Alternative sensors
- BSP or NPT connections

Model	SRO-120	SRO-200
Output	17.6 pulses/L	8.4 pulses/L
Weight	4 kg	5 kg
Gears	Brass	
Body	Aluminium	
Cover	Trogamid-T	
Seals	Viton®	
Max. pressure	10 bar (*20 bar with support cover)	
Pressure drop	0.35 bar at max. flow (150 cSt oil)	
Max. temperature	+ 80°C	
Viscosity range	30–1000 cSt	
Connections	1 1/2"	
Sensor	NAMUR; DIN 19234 (*Other types of inductive proximity sensors)	
Accuracy	±5% of reading	

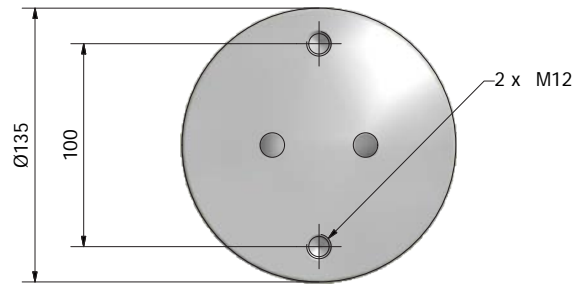


*) Special construction on request

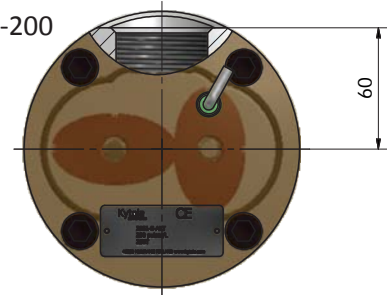
SRO- [] - [] [] [] - [] []	
Flow Range	
10–120 L/min	120
20–200 L/min	200
Body	
Aluminium	A
Gears	
Brass	P
Cover	
Trogamid	T
Sensor	
NAMUR	<i>blank</i>
Without sensor (M18x1 thread)	D
PNP/NPN (2-wire)	F
PNP (3-wire)	P
NPN (3-wire)	T
Connections	
BSP threads	<i>blank</i>
NPT threads	N

Standard feature: leave *blank*
Special feature: choose Character

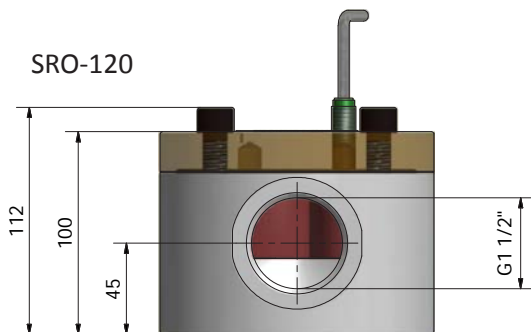
SRO-120/SRO-200



SRO-120/SRO-200



SRO-120



SRO-200

