



DESCRIPTION

The small turbine meter VISION measurement technology is ideal for the accurate measurement of low viscous and non-aggressive fluids. The VISION 1000 series is most suited for the measurement of flow rates from 0,1 to 2,5 l/min. The turbine meters can be mounted in any position.

MEASURING PRINCIPLE

Turbine meters are indirect volumetric meters. When the fluid passes through, a rotor is activated and the movement is either electronically or mechanically transmitted outside. The rotor is turned by the fluid force, proportional to the flow rate. A coil detects the passage of the rotor and supplies pulses, which can be utilized for digital or analogue signal processing. The generated pulses are specified as the K-factor. The large number of pulses provides high resolution. As the mass of the turbine is very small the response time is very short. It is not necessary to install a straight length of pipeline at the upstream side of the meter.



SPECIFICATIONS

Type				
	VISION 1005 2F66 - COIL			
Performance				
Flow rate	0.1 – 2.5 l/min			
Accuracy	± 3% of reading			
Repeatability	< 0.5% under the same operating conditions			
Operating temperature	-20°C to 100°C			
Operating pressure rate	max. 25 bar			
Burst pressure	~ 200 bar			
Pick up				
Pulse sensor	COIL (battery powered)			
Input power	2 – 5.5 V			
Output signal	Push-Pull			
Output current	max. 30 mA			
Power consumption	~ 2.2 µA @2V			
K-factor	Material	Nominal size	Flow range	K-factor
	Trogamid CX7323	5 mm	0.1 – 2.5 l/min	22000 pulse/liter
	Stainless steel, INOX 1.4401 / AISI 316	5 mm	0.1 – 2.5 l/min	24500 pulse/liter



Material	
Housing	Trogamid CX7323
	Stainless steel, INOX 1.4401 / AISI 316
Rotor	PPS Ferrite bound
Bearings	2 PTFE / Graphite bearings

Fluids	
Viscosity	0.8 – 16 mm ² /sec (mPas/cST)
Fluid type	Liquids
Filter	20 to 40 micron recommended

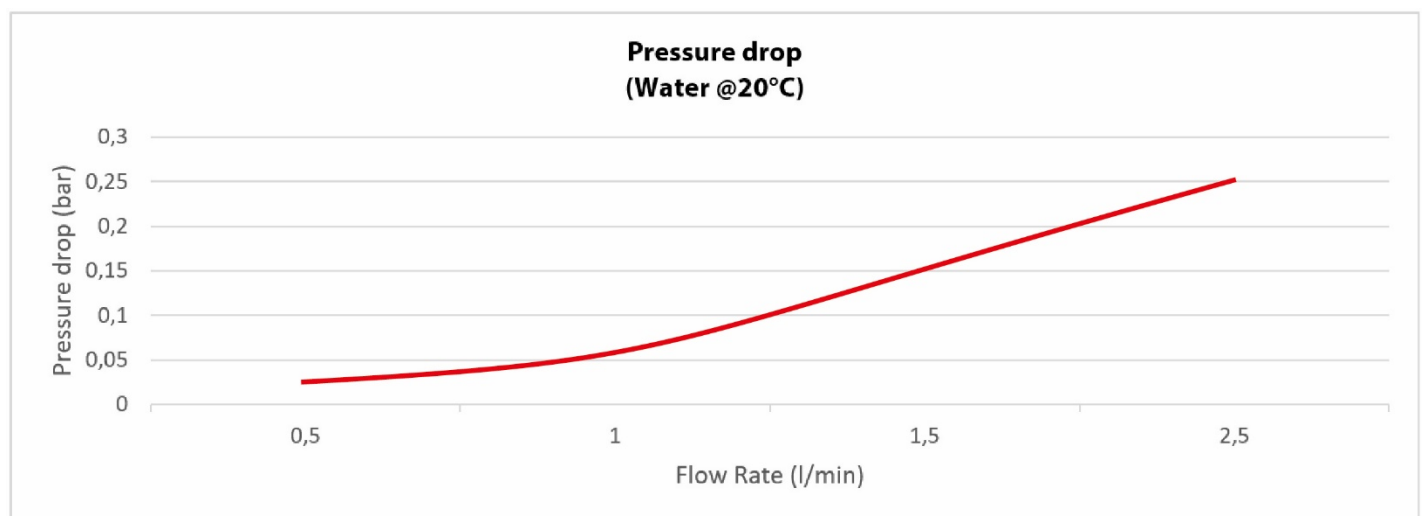
Installation	
Nominal size DN	5 mm
Mounting position	In any orientation
Electrical connection	3 Pin (2.8 x 0.5) for MINI DIN Connector, EN 60529
IP Protection class (DIN Connector)	IP67
Mechanical connection	G 1/4" Trogamid, Stainless steel
	NPT 1/4" Trogamid
Tightening torque for screwed connection	approx. 6 Nm

Calibration (Optional)	
5-Point Calibration	@ Water, 20°C

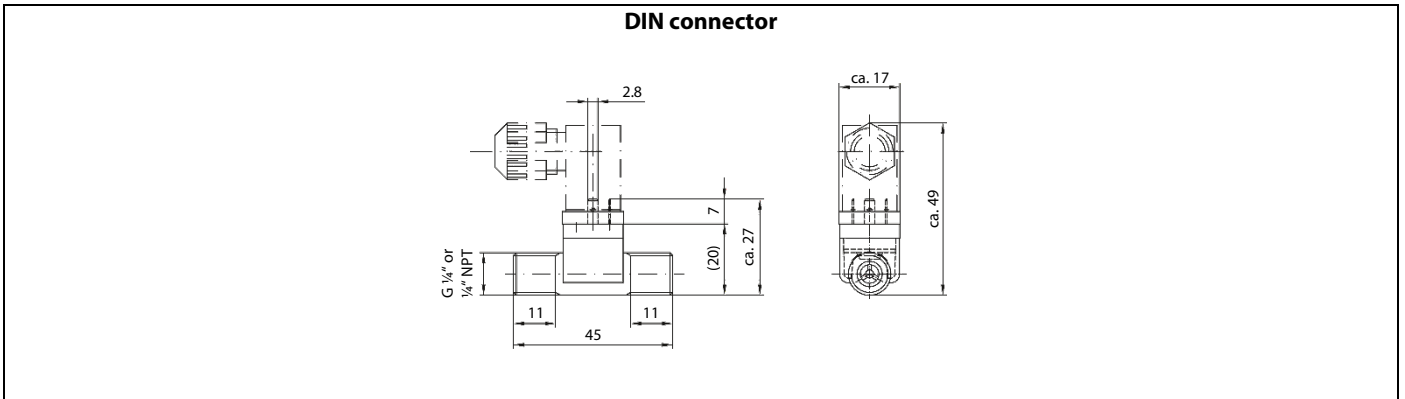
Weight			
	Housing	Connector	Weight
	Trogamid CX7323	DIN	15 g
	Stainless steel, INOX 1.4401 / AISI 316	DIN	60 g

Approvals		
	Housing	Approvals
	Trogamid CX7323	KTW, NSF/ANSI 61, WRAS, ROHS, CE
	Stainless steel, INOX 1.4401 / AISI 316	KTW, ROHS, CE

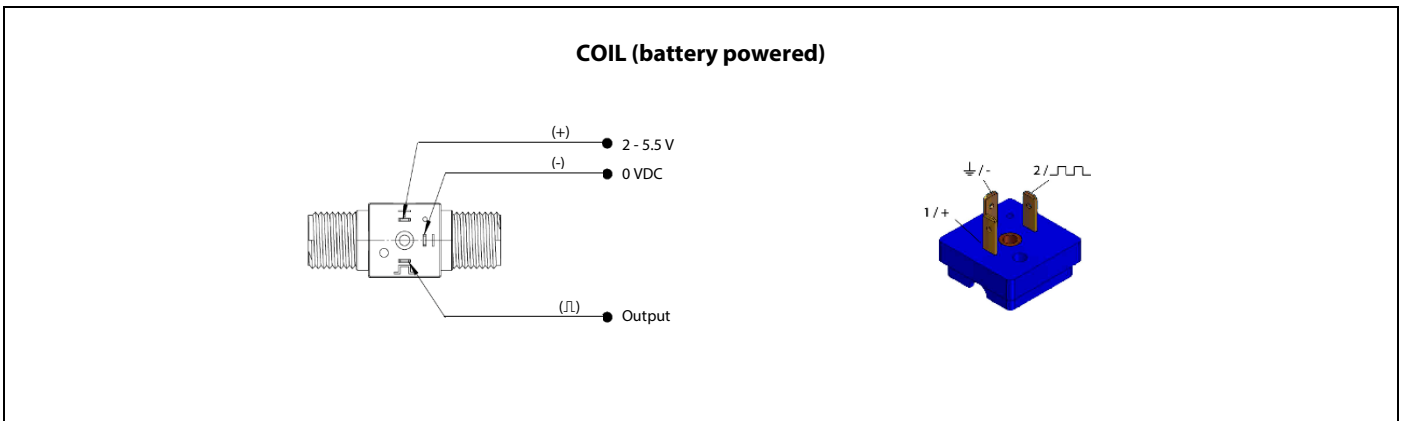
PRESSURE DROP



DRAWINGS



ELECTRICAL WIRING



ORDERING MATRIX VISION 1000 – COIL + DISPLAY

Select process and electrical connection	Code			
Mechanical connector and body material:				
G 1/4" Trogamid	56547			
G 1/4" Stainless steel	56133			
NPT 1/4" Trogamid	56548			
Electrical connection:				
COIL and DIN connector		-166		
Turbine model:				
			-2F66	
Available displays see below				Display option

Ordering code displays:		Code
Remote mounted ILR-701T display (3 m cable) / Total / Flow rate <u>Example</u> shows display with turbine meter		-56703
Remote mounted ILR-750T display (3 m cable) / Total / Flow rate / 4-20 mA output <u>Example</u> shows display with turbine meter		-56704
RF-Display ILR 701T (transmitter + receiver) / Total	 Receiver  Transmitter	-56700

Examples:	Code			
VISION 1005 2F66-COIL G1/4" + DIN connector	-56547	-166	-2F66	
VISION 1005 2F66-COIL G1/4" with ILR701T remote (3 m cable)	-56547	-166	-2F66	-56703
VISION 1005 2F66-COIL G1/4" with ILR750T remote (3m cable)	-56547	-166	-2F66	-56704
VISION 1005 2F66-COIL G1/4" with RF ILR701T	-56547	-166	-2F66	-56700

DISPLAYS

Technical Data ILR 701T	
Display flow	Actual flow: 6 digits
	Total flow: 11 digits, non-resettable 6 digits, resettable
Output	Analog output: /
	Pulse output: /
Display units	Liter, Pints, Quarts, Gallons
Input	Coil
Pulse input scale	0.5000 – 2.0000
Temperature	-20 °C to + 80 °C
Linearization (Optional)	9 points
Protection class	IP 67
Internal power supply	Battery CR123A Lithium, 3 VDC
Remote mount	Installation: Available with 3 m cable or as RF Display
	Weight: 230 g

Technical Data ILR 750T	
Display flow	Actual flow: 6 digits
	Total flow: 11 digits, non-resettable 6 digits, resettable
Output	Analog output: 4-20 mA
	Pulse output: Scaleable
Display units	Liter, Pints, Quarts, Gallons
Input	Coil
Pulse input scale	0.5000 – 2.0000
Temperature	-20 °C to + 80 °C
Linearization (Optional)	9 points
Protection class	IP 67
Internal power supply	Battery CR123A Lithium, 3 VDC
Remote mount	Installation: Available with 3 m cable
	Weight: 340 g

Technical Data RF ILR 701T	
Display flow	Actual flow: /
	Total flow: 11 digits, non-resettable 6 digits, resettable
Output	Analog output: /
	Pulse output: /
Display units	Liter, Pints, Quarts, Gallons
Input	Coil
Pulse input scale	0.5000 – 2.0000
Temperature	-20 °C to + 80 °C
Linearization (Optional)	9 points
Protection class	IP 67
Internal power supply	Battery CR123A Lithium, 3 VDC (Transmitter, Receiver/Display)
RF frequency	2,4 GHz ISM
Radio range	5 to 6 m
Receiver / Display	LCD Display with wall mounting bracket
Transmitter	Transmitter: Electronic board, battery powered CR123A Lithium, 3 VDC
	Installation: Will be mounted directly onto the VISION turbine meter
Remote mount	Installation: RF Display
	Weight: 210 g

Control. Manage. Optimize.

Dynasonics, AquaCUE and SoloCUE are registered trademarks of Badger Meter, Inc. Other trademarks appearing in this document are the property of their respective entities. Due to continuous research, product improvements and enhancements, Badger Meter reserves the right to change product or system specifications without notice, except to the extent an outstanding contractual obligation exists. © 2021 Badger Meter, Inc. All rights reserved.