

KYTOLA® Model ML Metal Tube Flow Meter is designed for medium and large liquid flows in rough conditions.

Reliable and accurate flow measurement is based on a variable area metering principle using a free-floating float.



- Stainless steel wetted parts
- High pressure and temperature resistance
- Scales up to 60 000 L/h (H₂O)
- ATEX version (II 2GD c TX) as option



ISO 9001 ISO 14001

METAL TUBE FLOW METER ML

FEATURES

- Reliable operation
- Compact and robust design
- Clear scale

TYPICAL APPLICATIONS

- Chemical and petrochemical industry
- Power plants
- General flow measurements

OPTIONS

- Low and high flow alarms
- Stainless steel AISI 316L display housing

PRODUCT KEY

ML				
Flow Range H ₂ O (L/h)	Flange size		Thread	
100 – 1 000	DN25	ANSI 1"	1"	25A
160 – 1 600	DN25	ANSI 1"	1"	25B
250 – 2 500	DN25	ANSI 1"	1"	25C
400 – 4 000	DN25	ANSI 1"	1"	25D
600 – 6 000	DN50	ANSI 2"	2"	50E
1 000 – 10 000	DN50	ANSI 2"	2"	50F
1 600 – 16 000	DN50	ANSI 2"	2"	50G
2 500 – 25 000	DN50	ANSI 2"	2"	50H
2 000 – 20 000	DN80	ANSI 3"	–	80I
4 000 – 40 000	DN80	ANSI 3"	–	80J
6 000 – 60 000	DN100	ANSI 4"	–	1SK
Scale				
H ₂ O (L/min) at +20°C				A
H ₂ O (L/h) at +20°C				B
H ₂ O (m ³ /h) at +20°C				C
Connections				
DIN/EN 1092-1 PN40 form B1 (raised face) flange (ML100: PN16)				0
ANSI/ASME B16.5 class 150 raised face flange				1
ANSI/ASME B16.5 class 300 raised face flange (ML100: class 150)				2
G female thread 40 bar	ML25 G 1"	ML50 G 2"		5
NPT female thread 40 bar	ML25 NPT 1"	ML50 NPT 2"		6
Outputs				
Without sensors				0
Lower limit switch, NAMUR				1
Upper limit switch, NAMUR				2
Lower and upper limit switch, NAMUR				3
Lower limit switch, PNP/NPN, 5–36 VDC, 2-wire (NC/NO selectable)*				4
Upper limit switch, PNP/NPN, 5–36 VDC, 2-wire (NC/NO selectable)*				5
Lower and upper limit switch, PNP/NPN, 5–36 VDC, 2-wire (NC/NO selectable)*				6
Display Housing				
Aluminium display housing, safety glass				0
Stainless steel AISI 316 display housing, safety glass				H
Breather				
Without breather				0
Breather for display housing**				Y
ATEX				
Without ATEX				0
ATEX classified (if alarm sensors required, only options 1, 2 and 3 allowed)				Z

*) 3-wire limit switches on request

**) Breather in the display housing is recommended in case of wide variation of ambient or process temperature at the site of use.

DIMENSIONS, WEIGHTS AND PRESSURE CLASSES

All weights with aluminium display housing, with stainless steel display housing add 1.6 kg.

DIN/EN

Size DN	PN	A (mm)	B (mm)	C (mm)	ID (mm)	Weight (kg)
25	40	183	165	108	35	4.6
50	40	208	209	127	68	8.6
80	40	253	246	146	102	13.4
100	16	263	266	156	125	12.5

ANSI/ASME 150 lbs

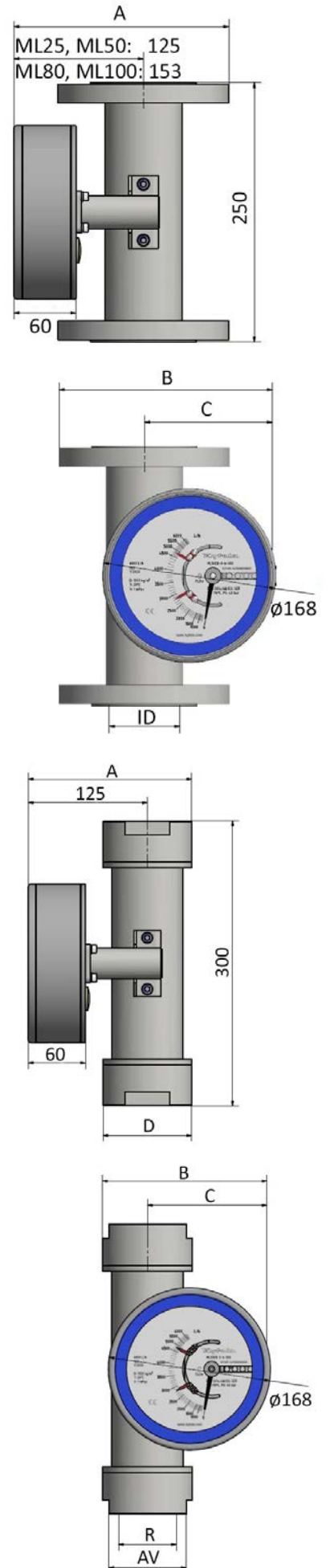
Size	CL	A (mm)	B (mm)	C (mm)	ID (mm)	Weight (kg)
1"	150	179	162	108	35	3.8
2"	150	201	203	127	68	7.5
3"	150	248	241	146	102	12.9
4"	150	267	270	156	125	15.2

ANSI/ASME 300 lbs

Size	CL	A (mm)	B (mm)	C (mm)	ID (mm)	Weight (kg)
1"	300	187	170	108	35	4.8
2"	300	208	209	127	68	8.9
3"	300	258	251	146	102	15.9

G/NPT female thread

Size	PN	A (mm)	B (mm)	C (mm)	D (mm)	AV (mm)	Weight (kg)
1"	40	155	138	108	60	50	3.7
2"	40	172	173	127	93	80	6.3



Model	ML
Flow tube	Stainless steel AISI 316L
Connectors	Stainless steel AISI 316L
Float	Stainless steel AISI 316L
Display housing	Aluminium or stainless steel AISI 316L
Display housing window	Safety glass
Seals	Viton®
Protection class	IP65
Pressure class	DIN/EN flanges PN40 (ML100: PN16) ANSI/ASME flanges class 150 or class 300 (ML100: class 150) Female threads 40 bar
Max process temperature	+110°C without alarm sensors +100°C with NAMUR alarm sensors +80°C with PNP/NPN alarm sensors
Max ambient temperature	+80°C
Connections	DIN/EN 1092-1 PN40 form B1 (raised face) flange (ML100: PN16) ANSI/ASME B16.5 class 150 raised face flange ANSI/ASME B16.5 class 300 raised face flange G/NPT female thread 40 bar (only ML25, ML50)
Electrical connection	ISO M20x1.5 thread for cable gland (cable gland on request)
Accuracy	±5% F.S. (H ₂ O at +20°C)