

KYTOLA® Model K Smart variable area flow meter with mA output is designed for reliable measuring and monitoring of liquid and gas flows.

It comes in a range of different options and offers a choice of end blocks – aluminium, stainless steel AISI 316 or polyamide.



- 4 – 20 mA output, 3-wire
- Easy compensation for external electromagnetic field effects
- USB-C port for parameter setting
- Easy configuration with VA Config application
- Sturdy construction
- Protected flow tube
- Scales for alternative liquids and gases

ISO 9001 ISO 14001

FLOW METER K Smart

FEATURES

- 4 – 20 mA output
- Alarm LEDs for flow alarm indication
- Ready for inductive flow alarm sensor
- Stainless steel side plates
- Large selection of materials

TYPICAL APPLICATIONS

- Cooling water measurement
- Sealing water measurement
- Flush water applications
- Gas flow measurement

OPTIONS

- Separate inductive low and high flow alarm
- PES flow tube
- Viton or EPDM seals
- Quick change flow tube

Model	KLAS	KLHS	KLKS
End blocks	Aluminium	AISI 316	Nylon
Side plates	AISI 316	AISI 316	AISI 316
Max. pressure	30 bar	30 bar	20 bar
Max. temperature	80°C (*120°C)	80°C (*120°C)	80°C
Weight, incl. mA module	2.0 kg	3.2 kg	1.5 kg
Flow tube	Grilamid (PA-12) (*PES)		
Connections	G 1" or NPT 1"		
Float	AISI 329 Note! Other possible wetted metal parts: AISI 316		
Seals	Nitrile (*Viton®, EPDM)		
Accuracy	±5% F.S. (H ₂ O, +20°C)		
*Special construction on request			

mA transmitter VA Smart

Power supply	24 VDC / 0.1 A		
Local alarm LEDs	Green (blinks): within set limits	Yellow: high flow alarm	Red: low flow alarm
Enclosure	Polyamide		
Ambient temperature	0...+80°C		
Protection class	IP65		

KL S - M

End Block Material		
Aluminium (not for H ₂ O)	A	
AISI 316	H	
Nylon	K	

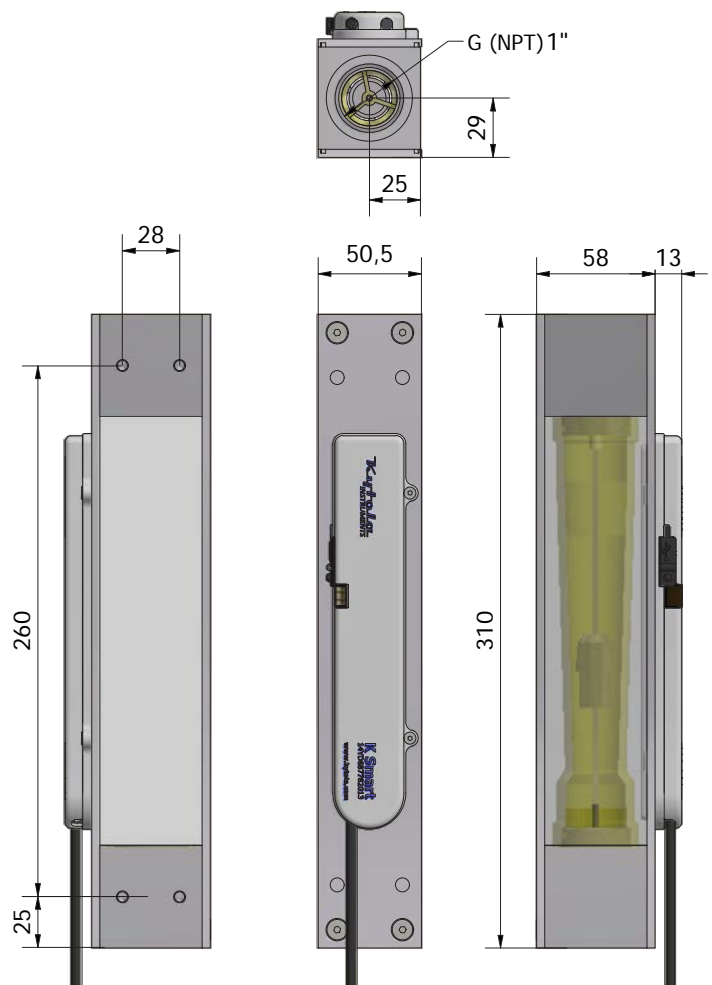
Flow Range			
H ₂ O L/min	Air NL/min		
7.5 – 40	200 – 1200	4A	
10 – 55	200 – 1500	4B	
10 – 65	300 – 1800	4C	
10 – 85	400 – 2200	4D	
10 – 120	400 – 3000	4E	

Scale		
H ₂ O (L/min) at +20°C	A	
Air (NL/min) at +20°C/1.013 bar (abs)	R	

4 – 20 mA output

Features		
Ready for inductive flow alarm sensor	D	
G 1" connections	blank	
NPT 1" connections	N	
Grilamid flow tube, nitrile seals	blank	
PES flow tube, nitrile seals	V	
PES flow tube, Viton® seals	W	
Grilamid flow tube, Viton® seals	X	

Standard feature: leave blank
Special feature: choose character



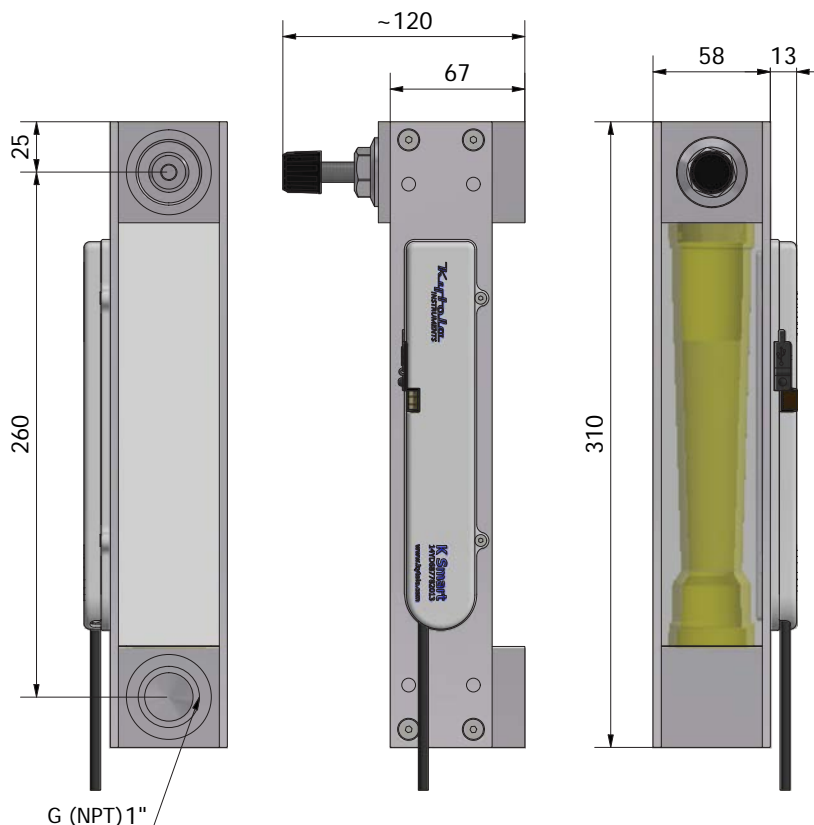
Model	KAS	KHS	KKS
End blocks	Aluminium	AISI 316	Nylon
Side plates	AISI 316	AISI 316	AISI 316
Max. pressure	30 bar	30 bar	20 bar
Max. temperature	80°C (*120°C)	80°C (*120°C)	80°C
Weight, incl. mA module	2.0 kg	3.2 kg	1.5 kg
Valve housing	Aluminium	AISI 316	AISI 316
Valve spindle	AISI 316	AISI 316	AISI 316
Flow tube	Grilamid (PA-12) (*PES)		
Connections	G 1" or NPT 1"		
Float	AISI 329		
Seals	Nitrile (*Viton®, EPDM)		
Accuracy	±5% F.S. (H ₂ O, +20°C)		
			*Special construction on request

mA transmitter VA Smart

Power supply	24 VDC / 0.1 A		
Local alarm LEDs	Green (blinks): within set limits	Yellow: high flow alarm	Red: low flow alarm
Enclosure	Polyamide		
Ambient temperature	0...+80°C		
Protection class	IP65		

K		S		M	
End Block Material					
Aluminium (not for H ₂ O)	A				
AISI 316	H				
Nylon	K				
Flow Range					
H ₂ O L/min	Air NL/min				
7.5 – 40	200 – 1200	4A*			
7.5 – 55	200 – 1600	4B*			
10 – 65	200 – 1800	4C*			
10 – 85	400 – 2600	4D*			
10 – 120	400 – 2800	4E*			
Scale					
H ₂ O (L/min) at +20°C	A				
Air (NL/min) at +20°C/1.013 bar (abs)	R				
4 – 20 mA output					
Features					
Ready for inductive flow alarm sensor	D				
G 1" connections	blank				
NPT 1" connections	N				
Grilamid flow tube, nitrile seals	blank				
PES flow tube, nitrile seals	V				
PES flow tube, Viton® seals	W				
Grilamid flow tube, Viton® seals	X				
Standard feature: leave blank Special feature: choose character					





* Air flow ranges (20°C/1.013 bar abs) for calibration purposes only



Model	KDAS	KDHS	KDKS
End blocks	Aluminium	AISI 316	Nylon
Side plates	AISI 316	AISI 316	AISI 316
Max. pressure	30 bar	30 bar	20 bar
Max. temperature	80°C (*120°C)	80°C (*120°C)	80°C
Weight, incl. mA module	2.0 kg	3.2 kg	1.5 kg
Valve housing	Aluminium	AISI 316	AISI 316
Valve spindle	AISI 316	AISI 316	AISI 316
Flow tube	Grilamid (PA-12) (*PES)		
Connections	G 1" or NPT 1"		
Float	AISI 329		
Seals	Nitrile (*Viton®, EPDM)		

*Special construction on request

mA transmitter VA Smart

Power supply	24 VDC / 0.1 A
Local alarm LEDs	Green (blinks): within set limits  Yellow: high flow alarm   Red: low flow alarm 
Enclosure	Polyamide
Ambient temperature	0...+80°C
Protection class	IP65

KD		S	-	M
End Block Material				
Aluminium	A			
AISI 316	H			
Nylon	K			
Flow Range				
Air NL/min				
200 – 1200	4A			
200 – 1700	4B			
300 – 2000	4C			
400 – 2600	4D			
400 – 3000	4E			
Scale				
Air (NL/min) at +20°C/1.013 bar (abs) R				
4 – 20 mA output				
Features				
Ready for inductive flow alarm sensor				D
G 1" connections				blank
NPT 1" connections				N
Grilamid flow tube, nitrile seals				blank
PES flow tube, nitrile seals				V
PES flow tube, Viton® seals				W
Grilamid flow tube, Viton® seals				X
Standard feature: leave blank				
Special feature: choose character				

