

Line pressure regulator HD 400

- Inlet pressure max. 440 bar / operating pressures up to 400 bar

COMHAS



Fittings and gauges optional

TECHNICAL DETAILS		DESIGN	DESCRIPTION
Body:	brass, nickel and matt chrome plated or stainless steel	<ul style="list-style-type: none">· This pressure regulator is designed for use with high inlet and outlet pressures.· High pressure technology	The line pressure regulator HD 400 is a single-stage pressure regulator for high pressure applications (in- and outlet).
Seat:	PCTFE	<ul style="list-style-type: none">· Pilot pressure regulator e.g. in controlled systems in connection with dome pressure regulators.	The HD 400 is designed as a piston pressure regulator and reduces the pressure of compressed gases or liquids to a maximum outlet pressure of 400 bar.
Elastomer:	viton / NBR	<ul style="list-style-type: none">· The high-grade steel construction with elastomer made of viton compound permits the use of aggressive media with HD 400.	
Max. inlet pressure:	440 bar		
Outlet pressure:	10 - 400 bar		
Operating temp.:	-20°C to +70°C		
Size:	131 x Ø 53 mm		
Weight:	865 g		
Threads:	in- and outlet NPT 1/4" f		

QUALITY STANDARD

The company Hornung is certified to **ISO 9001:2015** und **ISO 14001:2015**. All single parts are manufactured, assembled and tested by in-house production. The finished parts are therefore under all criteria of German quality control with 100% final inspection.

HORNUNG

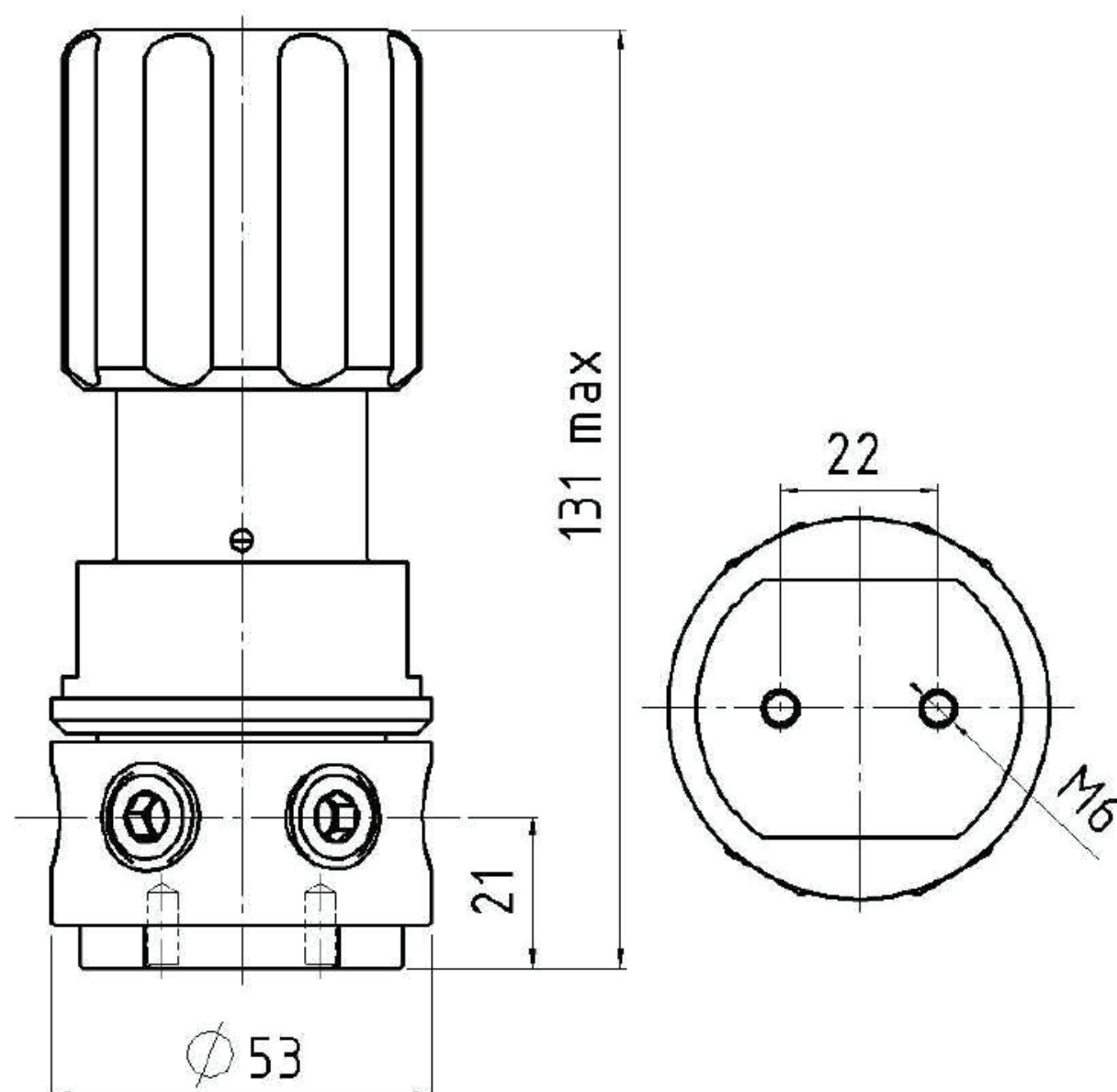
Präzision made in Germany

Rathenaustraße 55
63263 Neu-Isenburg

Phone: +49 6102 7883-70
Fax: +49 6102 7883-40

www.hornung.org
info@hornung.org

HD 400



APPLICATION AREA

This pressure regulator is used especially for the withdrawal of a less amount of gas at high inlet and outlet pressures. Due to its small size is this pressure regulator particularly suitable for use as a pilot pressure regulator e.g. in controlled systems in connection with dome pressure regulators.

The stainless steel construction with elastomere made of viton compound permits the use of aggressive media with this pressure regulator.

We urgently recommend the pre-connection of a fine filter, with at least a level of purity of up to 40 μ , as well as the subsequent integration of suitable safety valves against unduly high pressure.

ORDER DETAILS

Material:	Elastomer:	Gauge:	Outlet option:
1 = brass, nickel and matt chrome plated	1 = NBR	1 = without gauges	00 = NPT 1/4" f
2 = stainless steel electropolished	2 = viton	2 = outlet pressure gauge	03 = compression fitting 3 mm
		3 = in- and outlet pressure gauges	06 = compression fitting 6 mm
			08 = compression fitting 8 mm
			10 = compression fitting 10 mm
			12 = compression fitting 12 mm

Regulator type	45-	1	1	3	06	Gas type	
45	HD 400	Type	Material	Elastomer	Gauge	Option	Gas type

Accessories: See total catalogue segment

7. Gauges, compression fittings and accessories