

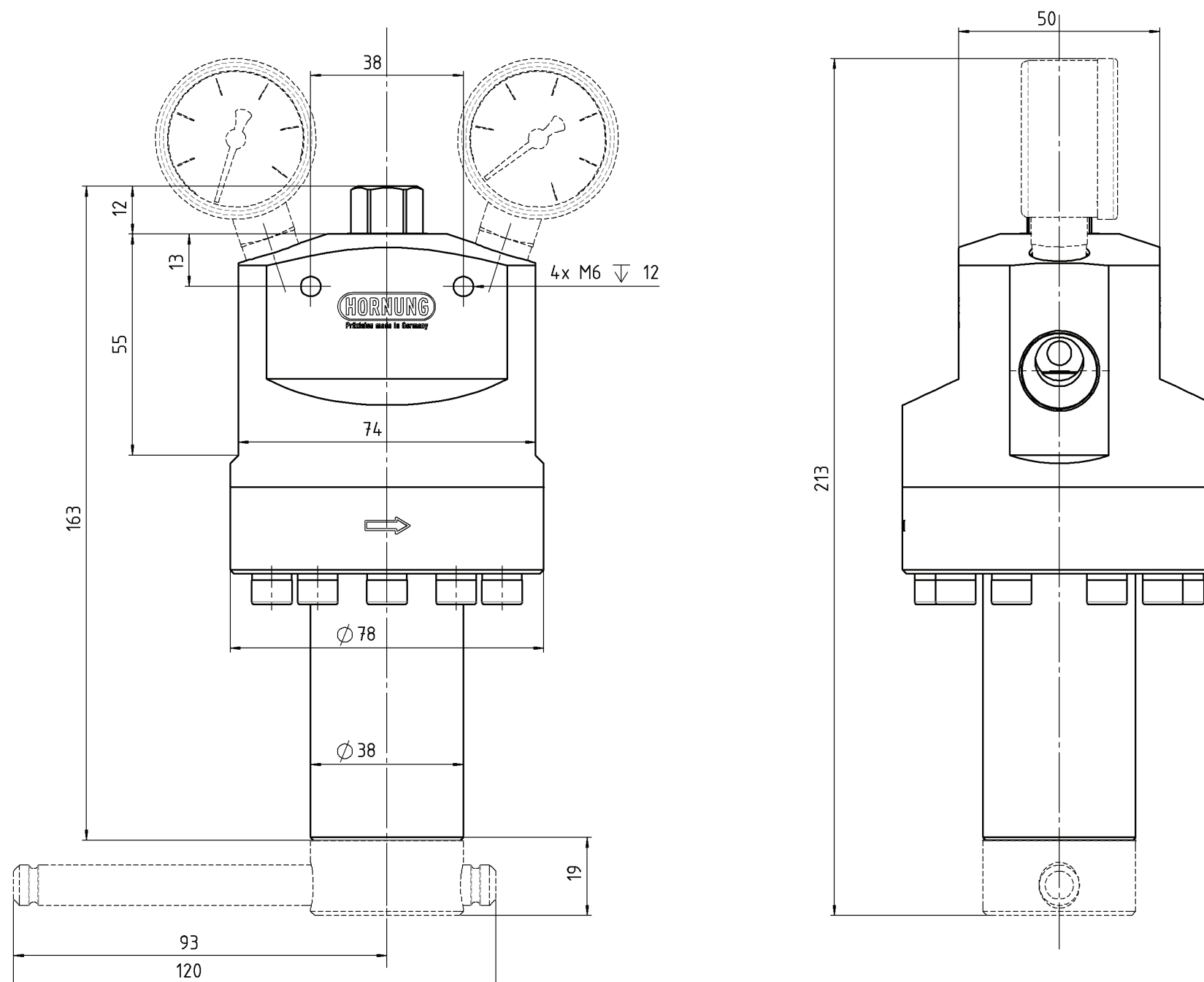


Fittings and gauges optional

| TECHNICAL DETAILS | | APPLICATION AREA | DESCRIPTION |
|-------------------------|---|--|---|
| Material: | Brass or stainless steel (1.4404) | Depending on applied materials, this pressure regulator is applicable for different gases and liquids. | The line pressure regulator L 1 is characterised by an accurate regulation and a large throughput. |
| Valve seat: | Ø 12,7 (balanced) | We urgently recommend the connection of a fine filter with max. 40 µ at the inlet of the pressure regulator. Subsequent components and plant components must be protected by separate safety valves. | The spring loaded pressure regulator works according to the principle of the force equilibrium between the adjusted spring force and the outlet pressure. |
| Cv-value: | 3,0 | | |
| Seat: | EPDM or FKM | | It can be equipped optionally with an inlet and an outlet gauge. |
| Diaphragm: | EPDM or FKM | | |
| Max. inlet pressure: | 110 bar | | |
| Outlet pressure ranges: | 0,5 - 3 bar 0,5 - 6 bar 1 - 10 bar 1 - 20 bar 5 - 70 bar 5 - 100 bar | | |
| Operating temp.: | -40°C to +150°C | | |
| Dimensions: | Ø 124 x 226 mm | | |
| Weight: | 10,4 kg | | |
| Connections: | Inlet / outlet NPT1" oder G 1" Gauges NPT 1/4" | | |

QUALITY STANDARD

The company Hornung is certified to **DIN EN ISO 9001** and **ISO 14001**. All single parts are manufactured, assembled and tested by in-house production. The finished parts are therefore under all criteria of German quality control with 100% final inspection.



VERSION

A large independence from fluctuation of the inlet pressure is reached with a balanced poppet.

The use of high-grade steel in connection with elastomer made of FKM permits the application of this pressure regulator with aggressive media.

ORDER DETAILS

| Material: | | Diaphragm: | | Outlet pressure : | | Gauges: | | Inlet / outlet: | | |
|---------------------|-----|------------|--|-------------------|----------|---------------------------------|----------|------------------------------|------------|----------|
| 1 = brass | | 1 = EPDM | | 1 = 0,5 - 3 bar | | 0 = none | | 0 = G 1" - Internal thread | | |
| 2 = stainless steel | | 2 = FKM | | 2 = 0,5 - 6 bar | | 1 = with inlet and outlet gauge | | 1 = NPT 1" - Internal thread | | |
| | | | | 3 = 1 - 10 bar | | | | | | |
| | | | | 4 = 1 - 20 bar | | | | | | |
| | | | | 5 = 5 - 70 bar | | | | | | |
| | | | | 6 = 5 - 100 bar | | | | | | |
| Regulator type | | | | 350- | 2 | 1 | 2 | 1 | 0 | Gas type |
| 350- | L 1 | | | Type | Material | Diaphragm | Pressure | Gauges | In-/outlet | Gas type |

Accessories: see total catalogue segment

- 7. Gauges, fittings and accessories
- 8. Fein filter F1, safety valves available on request