



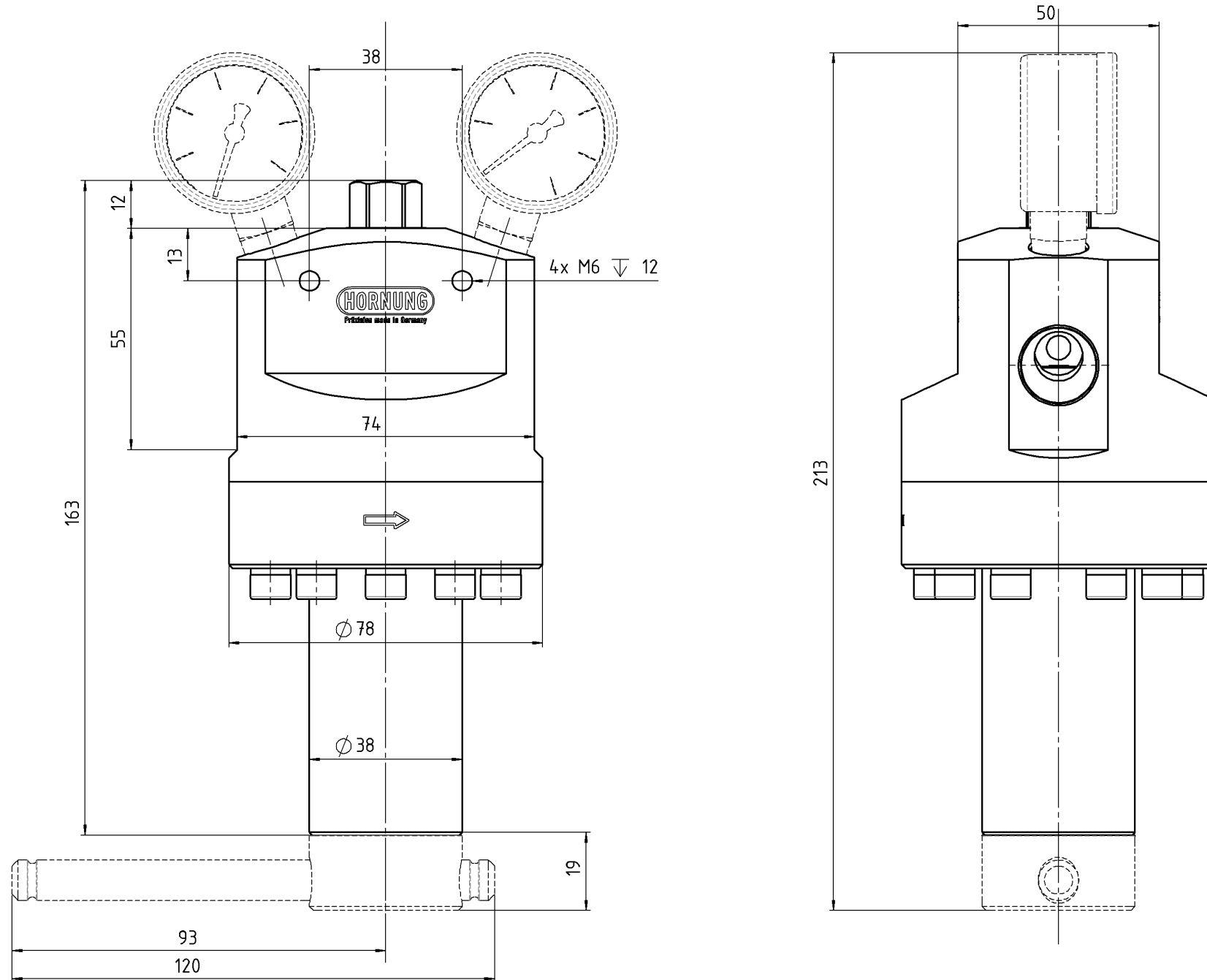
Fittings and gauges optional

| TECHNICAL DETAILS       |   | APPLICATION AREA   | DESCRIPTION   |
|-------------------------|---|--|---|
| Material:               | Brass or stainless steel (1.4404)   | Depending on applied materials, this pressure regulator is applicable for different gases and liquids.   | The line pressure regulator LH 1/2 is characterised by an accurate regulation and a large throughput.   |
| Valve seat:             | Ø 7 mm  | We urgently recommend the connection of a fine filter with max. 40 µ at the inlet of the pressure regulator. Subsequent components and plant components must be protected by separate safety valves. | The spring loaded pressure regulator works according to the principle of the force equilibrium between the adjusted spring force and the outlet pressure. |
| Cv-Wert:                | 1,05  |  |   |
| Seat:                   | PCTFE   | It can be equipped optionally with an inlet and an outlet gauge.   |   |
| Diaphragm:              | EPDM or FKM   |  |   |
| Max. inlet pressure:    | 320 bar brass<br>420 bar stainless steel  |  |   |
| Outlet pressure ranges: | 0,5 - 10 bar<br>1 - 20 bar<br>5 - 70 bar<br>5 - 100 bar<br>10 - 200 bar<br>10 - 360 bar |  |   |
| Operating temp.:        | -40°C to +150°C   |  |   |
| Dimensions:             | Ø 78 x 163 mm   |  |   |
| Weight:                 | 3,1 kg  |  |   |
| Connections:            | Inlet / outlet NPT 1/2"<br>Gauge NPT 1/4"   |  |   |

## QUALITY STANDARD

The company Hornung is certified to **DIN EN ISO 9001:2015** and **ISO 14001:2015**. All single parts are manufactured, assembled and tested by in-house production. The finished parts are therefore under all criteria of German quality control with 100% final inspection.

# LH 1/2



## VERSION

A large independence from fluctuation of the inlet pressure is reached with a balanced poppet.

The use of high-grade steel in connection with elastomer made of FKM permits the application of this pressure regulator with aggressive media.

## ORDER DETAILS

| Material:           | Diaphragm: | Outlet:          | Gauges:                         | Inlet / outlet:                |          |        |            |          |
|---------------------|------------|------------------|---------------------------------|--------------------------------|----------|--------|------------|----------|
| 1 = brass           | 1 = EPDM   | 3 = 0,5 - 10 bar | 0 = none                        | 1 = NPT 1/2" - Internal thread |          |        |            |          |
| 2 = stainless steel | 2 = FKM    | 4 = 1 - 20 bar   | 1 = with inlet and outlet gauge |                                |          |        |            |          |
|                     |            | 5 = 5 - 70 bar   |                                 |                                |          |        |            |          |
|                     |            | 6 = 5 - 100 bar  |                                 |                                |          |        |            |          |
|                     |            | 7 = 10 - 200 bar |                                 |                                |          |        |            |          |
|                     |            | 8 = 10 - 360 bar |                                 |                                |          |        |            |          |
| Regulator type      |            | 311-             | 2                               | 1                              | 3        | 1      | 0          | Gas type |
| 311-                | LH 1/2     | Type             | Material                        | Diaphragm                      | Pressure | Gauges | In-/outlet | Gas type |

Accessories: see total catalogue segment

- 7. Gauges, fittings and accessories
- 8. Fein filter F1, safety valves available on request