



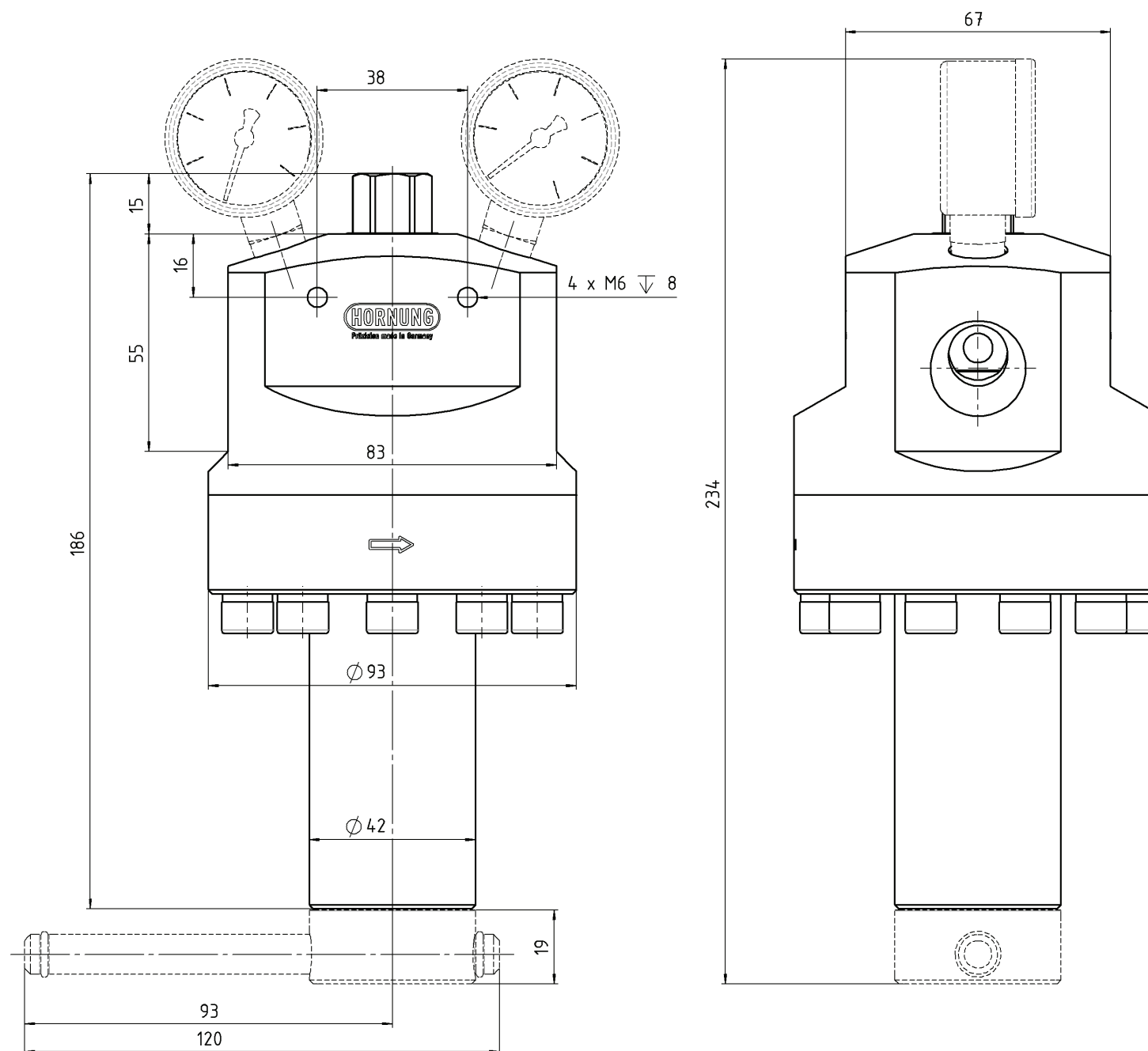
Fittings and gauges optional

TECHNICAL DETAILS		APPLICATION AREA	DESCRIPTION
Material:	Brass or stainless steel (1.4404)	Depending on applied materials, this pressure regulator is applicable for different gases and liquids.	The line pressure regulator LH 3/4 is characterised by an accurate regulation and a large throughput.
Valve seat:	Ø 10	We urgently recommend the connection of a fine filter with max. 40 µ at the inlet of the pressure regulator. Subsequent components and plant components must be protected by separate safety valves.	The spring-loaded pressure regulator works according to the principle of the force equilibrium between the adjusted spring force and the outlet pressure.
Cv-Wert:	2,0		
Seat:	PCTFE	It can be equipped optionally with an inlet and an outlet gauge.	
Diaphragm:	EPDM or FKM		
Max. inlet pressure:	320 bar brass 420 bar stainless steel		
Outlet pressure ranges:	0,5 - 10 bar 1 - 20 bar 5 - 70 bar 5 - 100 bar 10 - 200 bar 10 - 360 bar		
Operating temp.:	-40°C to +150°C		
Dimensions:	Ø 93 x 186 mm		
Weight:	4,8 kg		
Connections:	Inlet / outlet G 3/4" or NPT 3/4" Gauge NPT 1/4"		

QUALITY STANDARD

The company Hornung is certified to **DIN EN ISO 9001:2015** and **ISO 14001:2015**. All single parts are manufactured, assembled and tested by in-house production. The finished parts are therefore under all criteria of German quality control with 100% final inspection.

LH 3/4



VERSION

A large independence from fluctuation of the inlet pressure is reached with a balanced poppet.

The use of high-grade steel in connection with elastomer made of FKM permits the application of this pressure regulator with aggressive media.

ORDER DETAILS

Material:	Diaphragm:	Outlet pressure P2:	Gauges:	Inlet / Outlet:				
1 = brass	1 = EPDM	3 = 0,5 - 10 bar	0 = none	0 = G 3/4" - Internal thread				
2 = stainless steel	2 = FKM	4 = 1 - 20 bar	1 = with inlet and outlet gauge	1 = NPT 3/4" - Internal thread				
		5 = 5 - 70 bar						
		6 = 5 - 100 bar						
		7 = 10 - 200 bar						
		8 = 10 - 360 bar						
Regulator type		331-	2	1	3	1	0	Gas type
331-	LH 3/4	Type	Material	Diaphragm	P2	Gauges	In-/outlet	Gas type

Accessories: see total catalogue segment

7. Gauges, fittings and accessories
8. Fein filter F1, safety valves available on request