



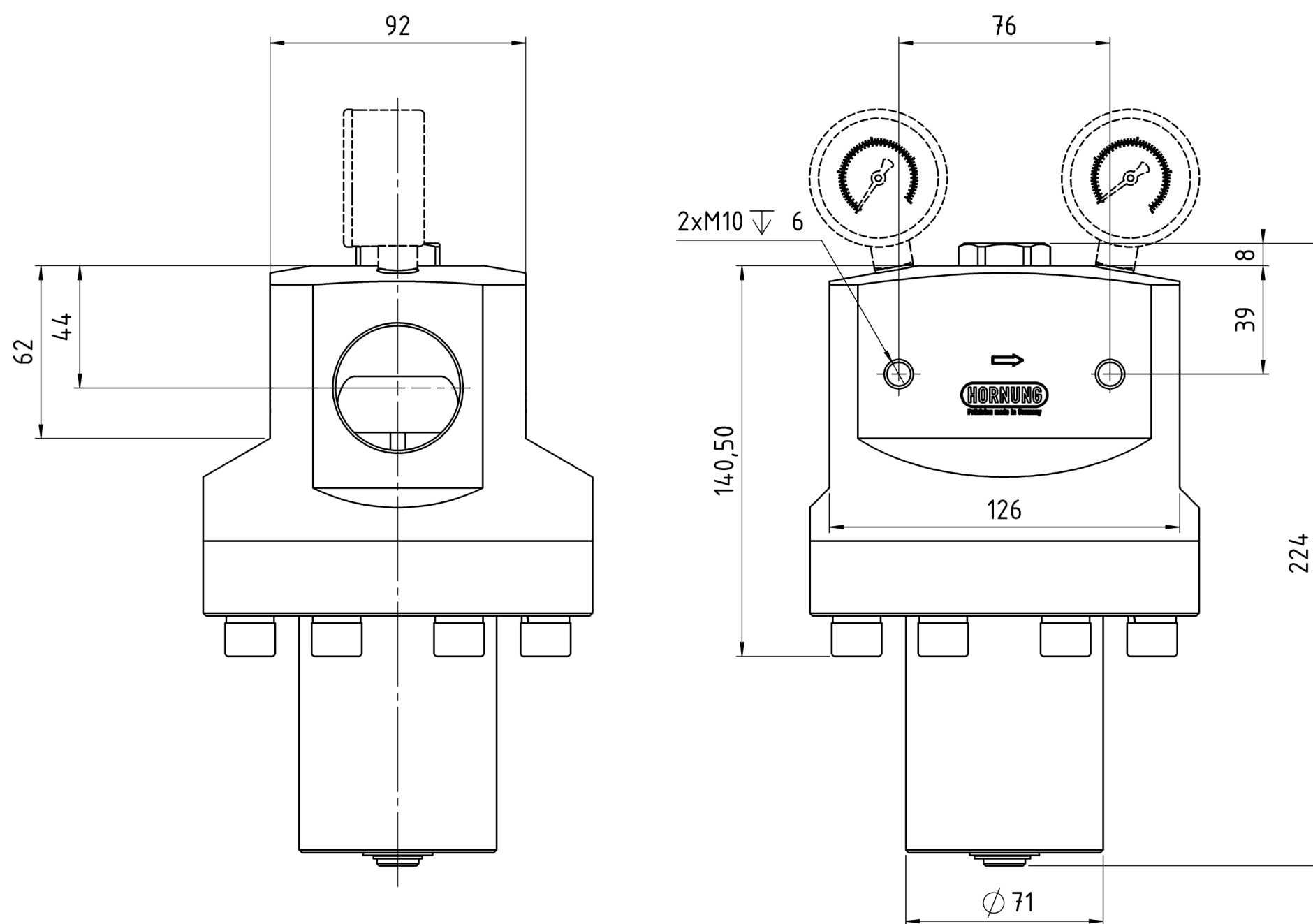
Fittings and gauges optional

TECHNICAL DETAILS		APPLICATION AREA	DESCRIPTION
Material:	stainless steel (1.4404)	Depending on applied materials, this pressure regulator is applicable for different gases and liquids.	The line pressure regulator LH 1 1/2 is characterised by an accurate regulation and a large throughput.
Valve seat:	Ø 19	We urgently recommend the connection of a fine filter with max. 40 µ at the inlet of the pressure regulator, as well as to protect following components with suitable relief valves against inadmissibly high pressures.	The spring loaded pressure regulator works according to the principle of the force equilibrium between the adjusted spring force and the outlet pressure.
Cv-value:	7,3		
Seat:	PCTFE		It can be equipped optionally with an inlet and an outlet gauge.
Diaphragm:	EPDM or Viton		
Max. inlet pressure:	320 bar		
Outlet pressure ranges:	0,5 - 10 bar 1 - 20 bar 5 - 70 bar		
Operating temp.:	-40°C to +150°C		
Dimensions:	Ø 140 x 224 mm		
Weight:	13,5 kg		
Connections:	Inlet / outlet G 1 1/2" Gauge NPT 1/4"		

## QUALITY STANDARD

The company Hornung is certified to **DIN EN ISO 9001:2015** and **ISO 14001:2015**. All single parts are manufactured, assembled and tested by in-house production. The finished parts are therefore under all criteria of German quality control with 100% final inspection.

# LH 1 1/2



## VERSION

A large independence from fluctuation of the inlet pressure is reached with a balanced poppet.

The use of high-grade steel in connection with elastomer made of viton permits the application of this pressure regulator with aggressive media.

## ORDER DETAILS

<b>Material:</b> 2 = stainless steel	<b>Diaphragm:</b> 1 = EPDM 2 = Viton	<b>Outlet pressure:</b> 0 = 10 bar 1 = 20 bar 2 = 70 bar	<b>Gauges:</b> 0 = none 1 = with inlet and outlet gauge	<b>Inlet / outlet:</b> 0 = G 1 1/2"
---	--	---	---	--

Regulator type	371-	2	1	0	1	1	Gas type
371- LH 1 1/2	Type	Material	Diaphragm	Pressure	Gauges	In-/outlet	Gas type

**Accessories: see total catalogue segment**

- 7. Gauges, fittings and accessories
- 8. Fein filter F1, safety valves available on request