

# Line pressure regulator HP 301

- dual stage max. 300 bar inlet pressure



Fittings and gauges optional

TECHNICAL DETAILS		APPLICATION AREA	DESCRIPTION
Material:	Stainless steel 1.4404 electropolished or brass, nickel and matt chrome plated	Especially for gases with high requirements of purity up to 6.0 for laboratories and analytics.	The line pressure regulator HP 301 is a two stage pressure regulator, brass nickel and matt chrome plated or stainless steel 1.4404 electropolished.
Seat :	PCTFE	In case of our cleaning method the cylinder pressure regulator is ECD capable.	It is designed as a diaphragm pressure regulator and especially made for low outlet pressure.
Diaphragm:	1.4435	Stainless steel version allows the usage of aggressive gases.	The HP 301 reduces the pressure of compressed gases or fluids to a maximum outlet pressure of 12 bar.
Leakage rate:	10 <sup>-8</sup> mbar l/s He against atmosphere	We recommend the installation of suitable safety valves to secure following equipment from improper high pressure.	It can be equipped optionally with in and outlet gauges.
Gas purity:	≤ 6.0	Two stage pressure regulators favored used, when a extremely stable or very low outlet pressure is required.	<b>Special characteristics:</b> The line pressure regulator HP 301 is characterized through his high control accuracy at the pressure area from 0.1 bar to 12 bar.
Max. inlet pressure:	300 bar	Application in high pressure line and instrumentation.	
Outlet pressure ranges:	0,1-1; 0,1-3; 1-6; 1-12 bar		
Operating temp.:	-20°C to +70°C		
Gauges:	Safety version to EN 837-1 KL1,6		
Dimensions (wxhxd):	135 x 95 x 205 mm		
Weight:	1950 g		
Connections:	NPT 1/4" f		

## QUALITY STANDARD

The company Hornung is certified to **DIN EN ISO 9001** and **ISO 14001:2009**. All single parts are manufactured, assembled and tested by in-house production. The finished parts are therefore under all criteria of German quality control with 100% final inspection.

# HORNUNG

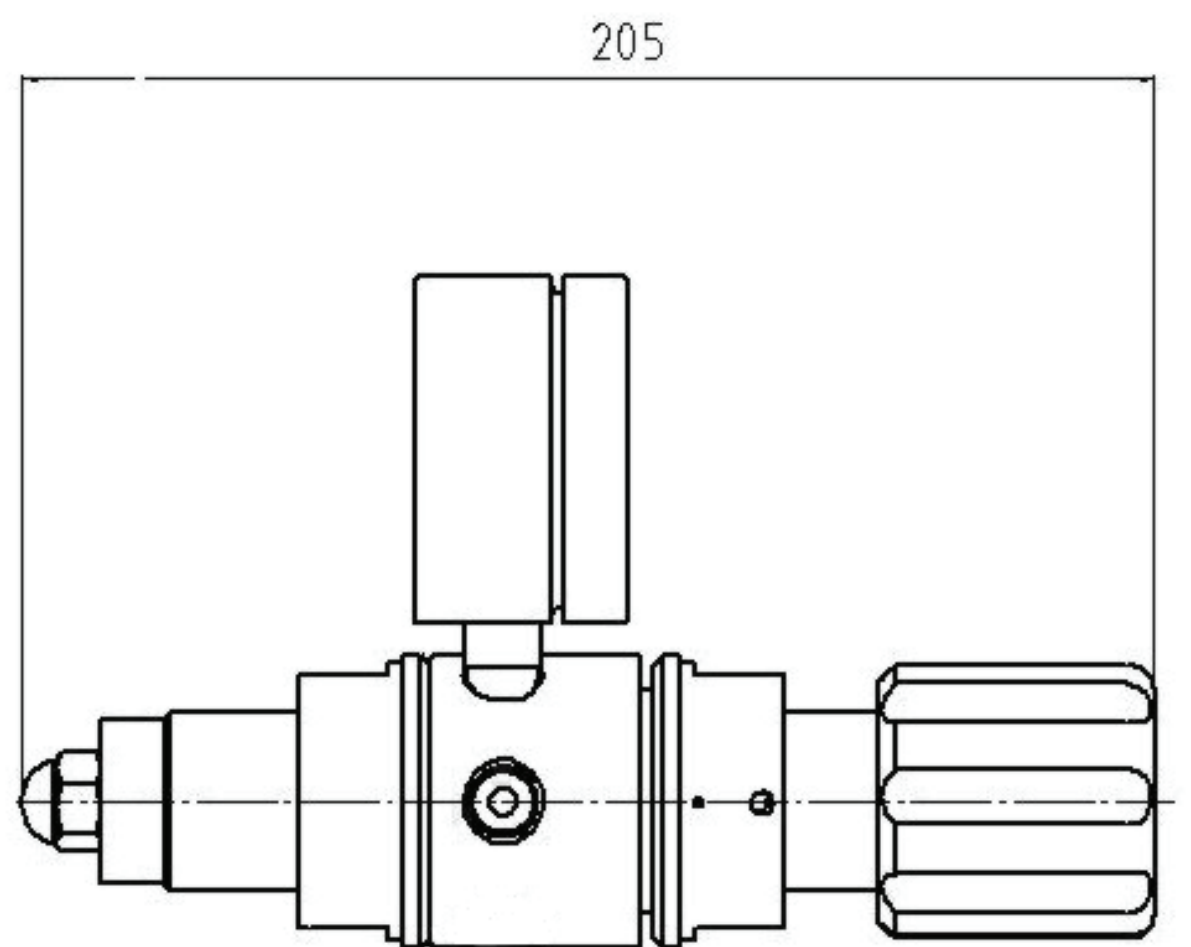
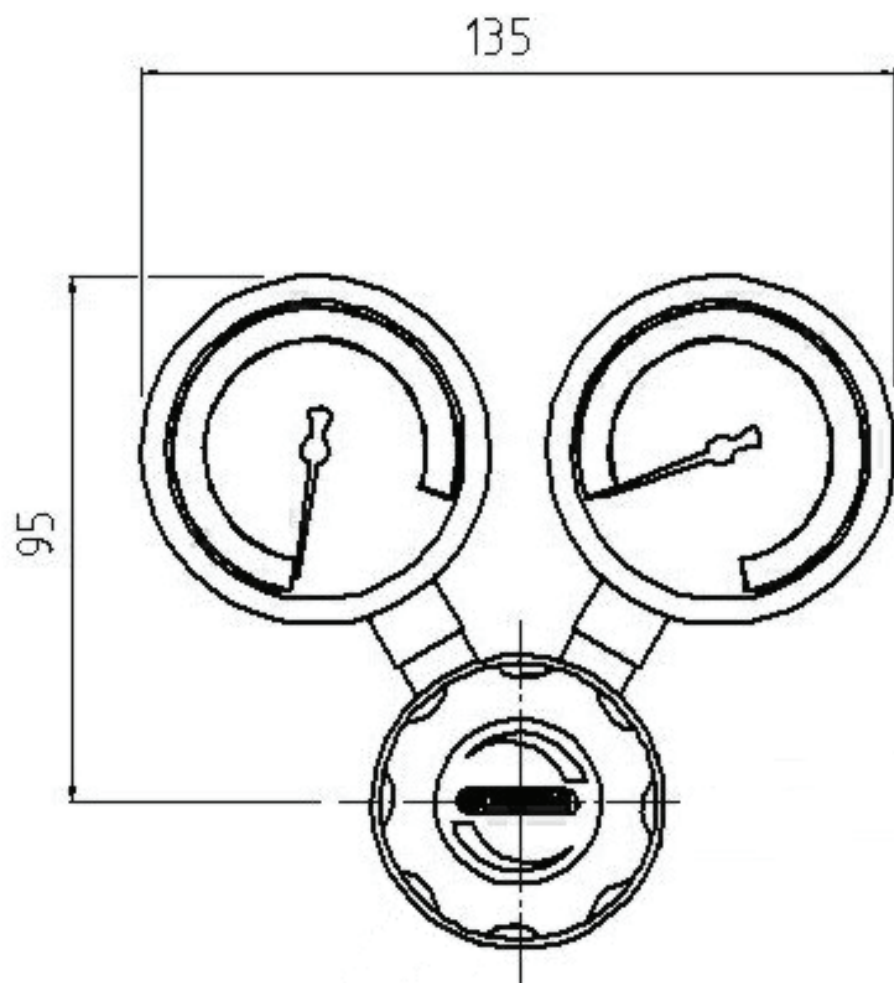
Präzision made in Germany

Rathenaustraße 55  
63263 Neu-Isenburg

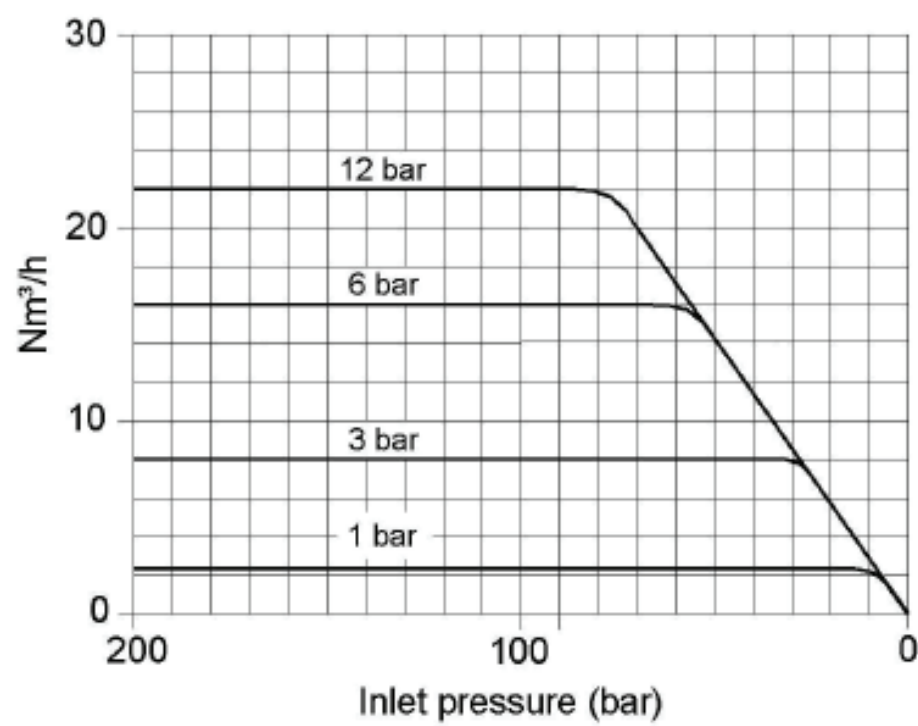
Phone: +49 6102 7883-70  
Fax: +49 6102 7883-40

www.hornung.org  
info@hornung.org

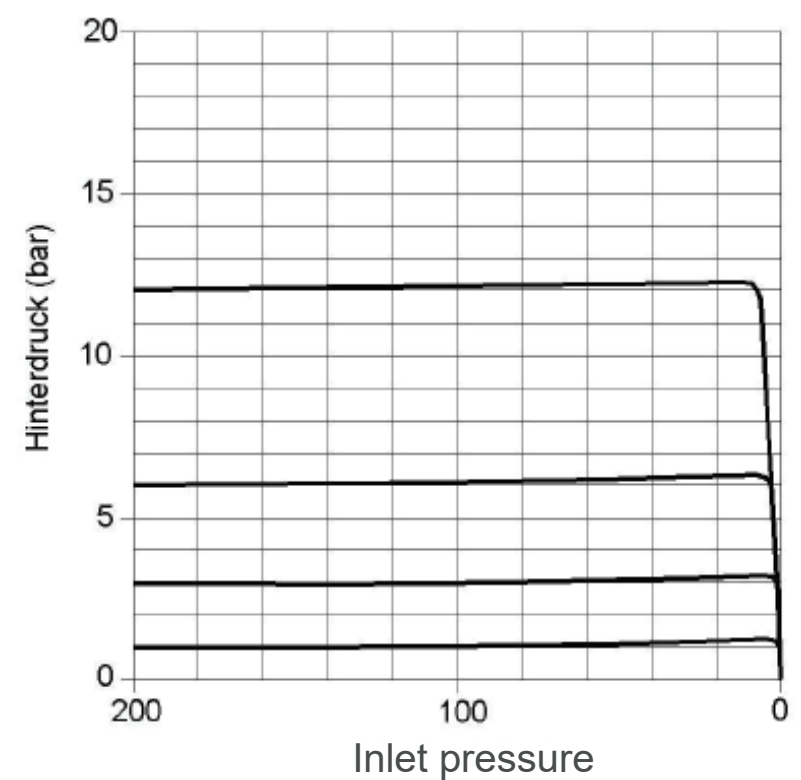
# HP 301



## PERFORMANCE CURVE



## DYNAMIC FLOW CURVE



## ORDER DETAILS

### Material:

- 1 = Stainless steel electropolished
- 2 = Brass, nickel and matt chrome plated

### Outlet pressure ranges:

- 1 = 0,1 - 1 bar
- 2 = 0,1 - 3 bar
- 3 = 1 - 6 bar
- 4 = 1 - 12 bar

### Gauges:

- 1 = without gauges
- 2 = outlet gauge (working pressure)
- 3 = in- and outlet gauges

### Inlet- and outlet option:

- 0 = NPT 1/4" f
- 3 = compression fitting 3 mm
- 6 = compression fitting 6 mm
- 8 = compression fitting 8 mm
- 10 = compression fitting 10 mm
- 12 = compression fitting 12 mm

Regulator type    2-stage  
HP 301

HP301-  
Type

1  
Material

3  
Pressure

2  
Gauge

6  
Option

Gas type  
Gas type

**Accessories:** See total catalogue segment

7. Gauges, compression fittings and accessories