

Precision pressure regulator FR 1



Gauges and fittings optional

TECHNICAL DETAILS		APPLICATION AREA	DESCRIPTION
Body:	aluminium / stainless steel	<p>The precision pressure regulator FR 1 is used particularly in the following areas:</p> <ul style="list-style-type: none"> • Gas analysis • Gas chromatography • Process engineering • Metallurgy • Laboratory applications. 	<p>The precision pressure regulator FR 1 is a singlestage pressure reducing regulator out of stainless steel or aluminium.</p> <p>It was in particularly developed for precise gas withdrawal.</p> <p>The FR 1 is suitable both for the installation in piping systems and for the installation in control panels.</p> <p>The Integrated balanced poppet ensures that with large changes in the input pressure a constant operating pressure is guaranteed.</p> <p>An easily replaceable sintered metal filter element is integrated into the pressure regulator as standard.</p>
Valve seat:	stainless steel		
Gaskets:	viton / NBR		
Diaphragm:	viton / NBR / stainless steel		
Max. inlet pressure:	12 bar		
Outlet pressure range:	50 mbar - 7 bar		
Operating temp.:	-20 to +70°C		
Size:	106 x 48 mm		
Weight:	240 g		
Connections:	in- / outlet NPT 1/8" f		

QUALITY SATANDARD

The company Hornung is certified to **DIN EN ISO 9001** and **ISO 14001:2009**. All single parts are manufactured, assembled and tested by in-house production. The finished parts are therefore under all criteria of German quality control with 100% final inspection.

HORNUNG

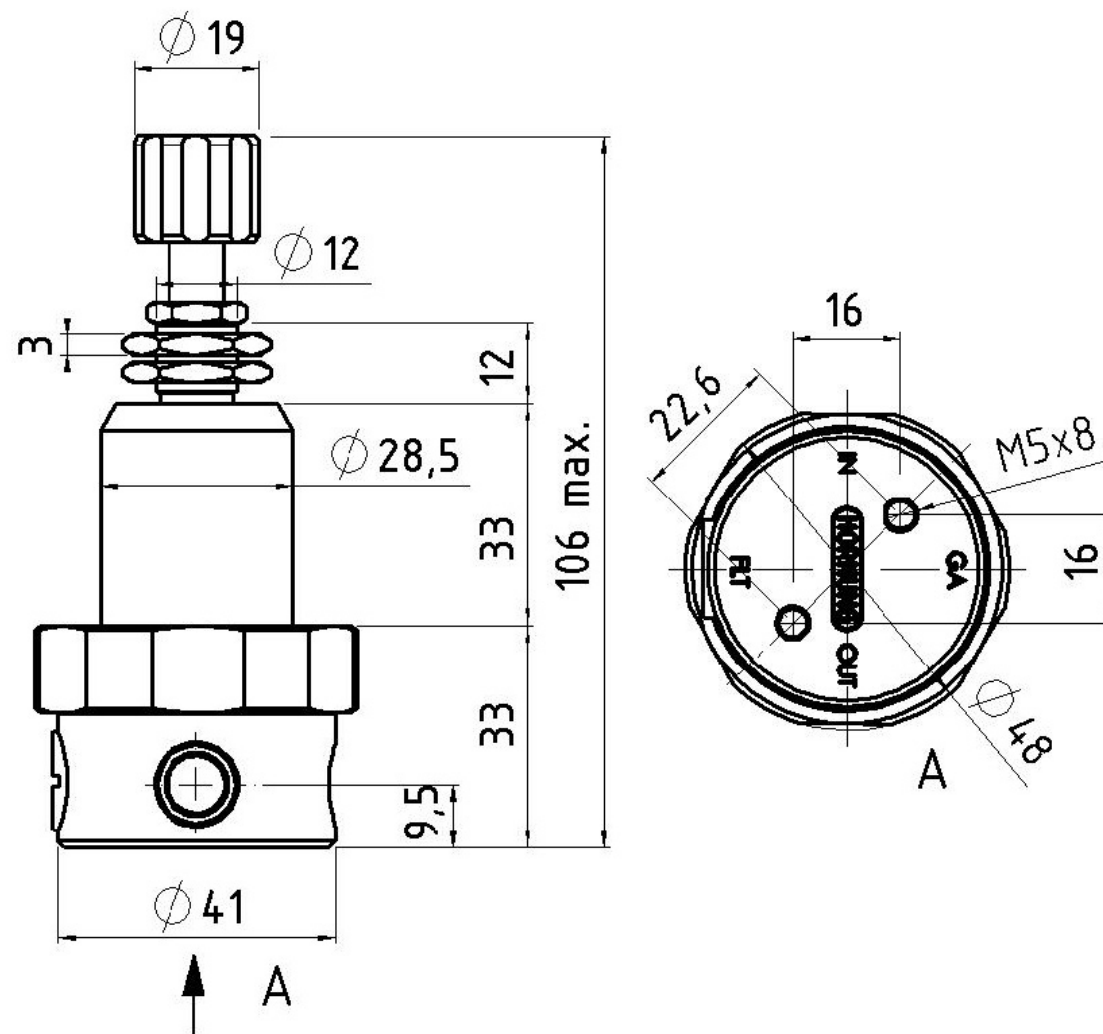
Präzision made in Germany

Rathenaustraße 55
63263 Neu-Isenburg

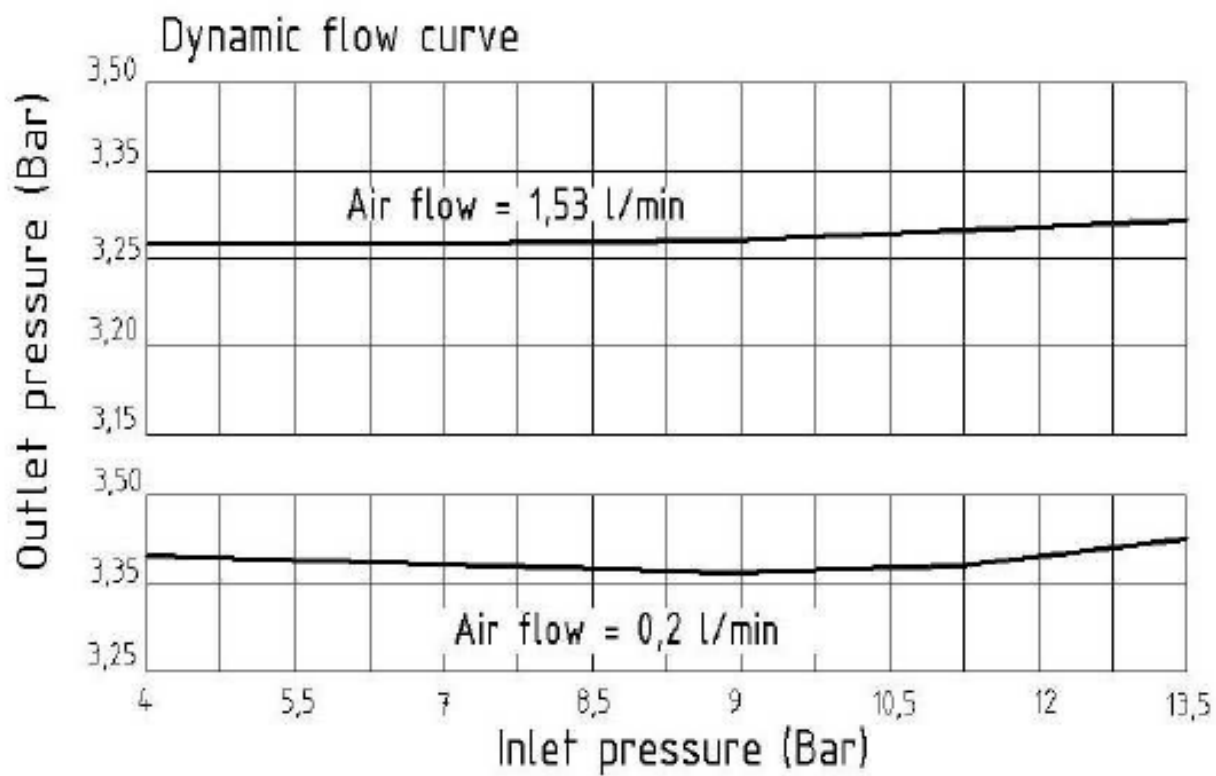
Phone: +49 6102 7883-70
Fax: +49 6102 7883-40

www.hornung.org
info@hornung.org

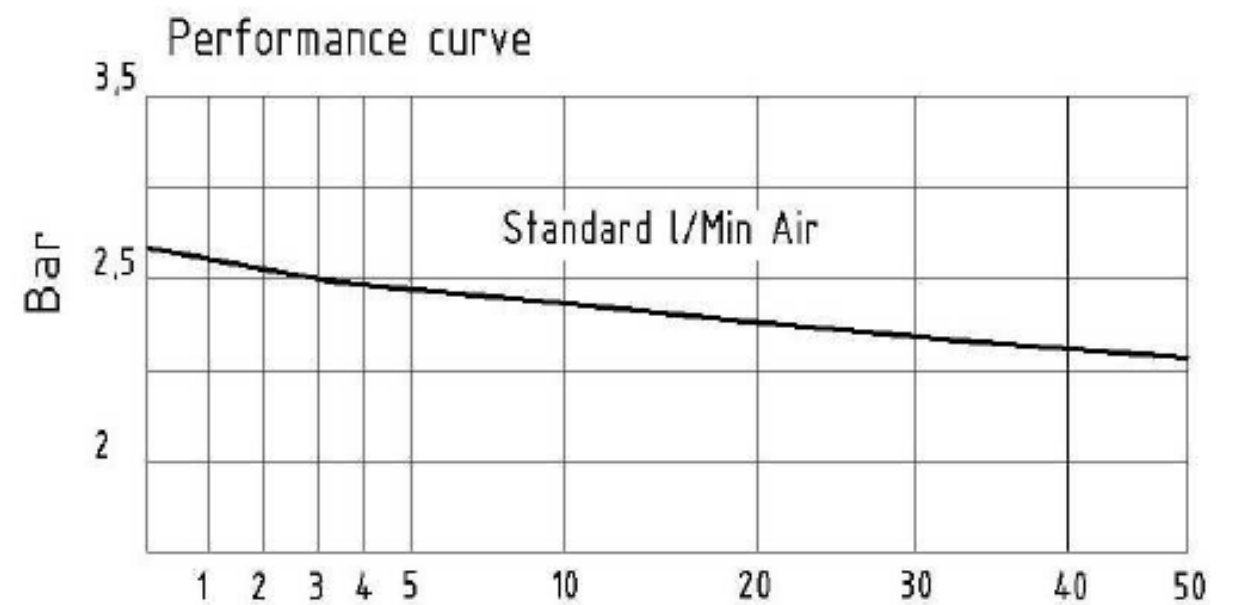
FR 1



DYNAMIC FLOW CURVE



PERFORMANCE CURVE



ORDER DETAILS

Material:	Diaphragm:	Gaskets:	Gauge:	Pressure ranges:
1 = aluminium	1 = NBR	1 = NBR	0 = none	1 = 170 mbar
2 = stainless steel (1.4404)	2 = viton	2 = viton	1 = outlet gauge	2 = 350 mbar
	3 = stainless steel (1.4435)			3 = 500 mbar
	4 = hastelloy (2.4610)			4 = 700 mbar
				5 = 2,1 bar
				6 = 4,2 bar
				7 = 7,0 bar

Regulator type	27-	2	3	2	1	4	Gas type
27	Type	Material	Diaphragm	Gaskets	Gauge	Pressure	Gas type
FR 1							

Accessories:

- Gauges, tube fittings und accessories
- Console