

# Point of use regulator HP 400

- bench version



TECHNICAL DETAILS		APPLICATION AREA	DESCRIPTION
Body:	stainless steel 1.4404 electropolished or brass, nickel and matt chrome plated	Especially for gases with high requirements on purity up to 6.0.	The HP 400 is a point of use regulator for bench (laboratory furniture) mounting.
Seat:	PCTFE	Our special cleaning system for the HP series also guarantees the use for ECD applications.	The regulator is mounted on a table column for reducing line pressure to working pressure as a second-stage.
Diaphragm:	1.4435		As a standard configuration the point of use regulator will be supplied with shut-off valve and gauge for indicating working pressure.
Leakage rate:	$10^{-8}$ mbar l/s He against atmosphere		Options are specific inlet- and outlet connections or a metering valve fitted to the outlet of HP 400.
Gas purity:	$\leq 6.0$		
Max. Inlet pressure:	40 bar		
Outlet pressure ranges:	0,5-3; 1-6 1-10 bar		
Operating temp.:	-20°C to +70°C		
Gauge:	safety version to EN 837-1 KL1,6		
Dimensions (wxhxd):	85 x 250 x 145 mm		
Weight:	1700 g		
Connections:			
Inlet:	compressing fitting 6 mm		
Outlet:	G 1/4" f		

## QUALITY STANDARD

The company Hornung is certified to **DIN EN ISO 9001** and **ISO 14001:2009**. All single parts are manufactured, assembled and tested by in-house production. The finished parts are therefore under all criteria of German quality control with 100% final inspection.

# HORNUNG

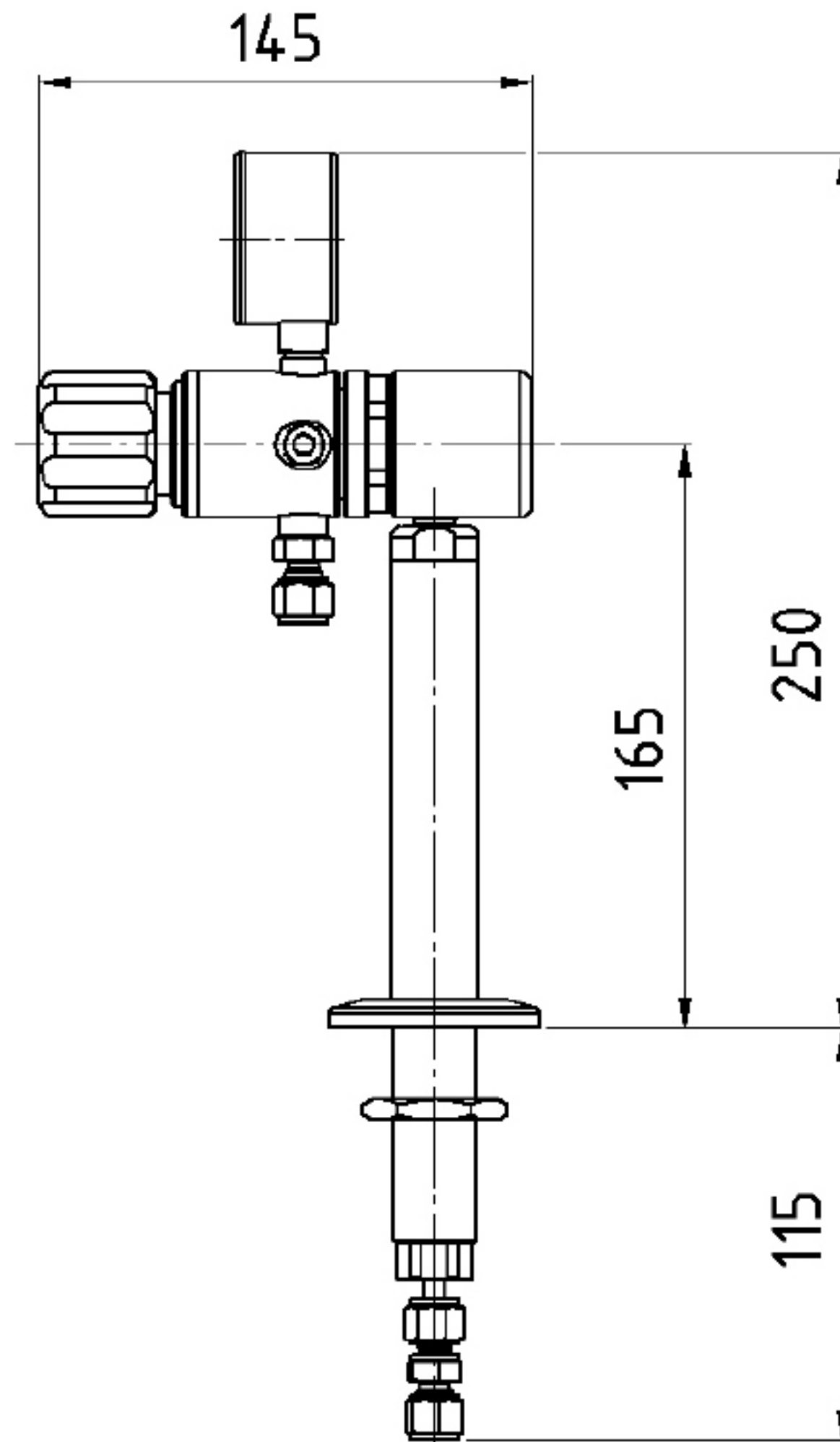
Präzision made in Germany

Rathenaustraße 55  
63263 Neu-Isenburg

Phone: +49 6102 7883-70  
Fax: +49 6102 7883-40

www.hornung.org  
info@hornung.org

# HP 400



## ORDER DETAILS

### Material:

- 1 = stainless steel
- 2 = brass, nickel and matt chrome plated

### Outlet pressure ranges:

- 1 = 0,5 - 3 bar
- 2 = 1 - 6 bar
- 3 = 1 - 10 bar

### Options for the outlet:

- 0 = G 1/4" - Internal thread
- 1 = compression fitting 6 mm
- 2 = compression fitting 8 mm

HP400- Type	1 Material	2 Pressure	1 Option	Gas type Gas type
----------------	---------------	---------------	-------------	----------------------

**Accessories:** See total catalogue segment

- 5. Diaphragm shut-off and metering valves
- 7. Gauges, screws, compression fittings, cylinder retainers and accessories