

## MPB COMPACT SERIES 1200 VARIABLE AREA FLOWMETER

### GENERAL INFORMATION

The MPB Compact Series 1200 Flowmeter is used where space is of a premium. It is normally front of panel mounted, but can also be rear of panel mounted and supplied complete with bezel and mounting kit.

The MPB Series 1200 Flowmeter is produced in three standard lengths:-

**1200 Long**, which has a flow tube length of 295mm, is for use where high resolution scale accuracy is required. See technical bulletin MPBTB 086.

**1200 Standard**, which has a flow tube length of 138mm, universal standard tube length.

**1200 Compact**, which has a flow tube length of 93mm, is for use where space is at a premium.

The MPB Compact 1200 Series Flowmeter will give an instantaneous flow rate of virtually any process gas or liquid.

The MPB Compact 1200 Series Flowmeter can be supplied with either nickel plated brass, anodised aluminium alloy, or stainless steel connections.

These can be supplied with straight through, or rear facing connections, with or without integral control valves.



### MPB COMPACT SERIES 1200 FEATURES

- RANGE OF STANDARD FLOW RATES
- VALVED OR NON-VALVED VERSIONS AVAILABLE
- STRAIGHT THROUGH OR REAR FACING CONNECTIONS
- BEZEL AND MOUNTING KIT AVAILABLE FOR ALL VERSIONS
- FRICTIONLESS, HENCE LOW HEAD LOSS
- EASY TO READ SCALE
- EASY IN-SITU TUBE REMOVAL AND RE-INSTALLATION
- SUITABLE FOR FRONT, OR REAR OF PANEL MOUNTING
- POLYCARBONATE SAFETY COVER
- STANDARD OR CUSTOMISED FLOW SCALES
- ALARM POINT SIGNALS
- INTRINSICALLY SAFE VERSION
- DIRECT READING OF INSTANTANEOUS FLOW RATE
- NICKEL PLATED BRASS, ANODISED ALUMINIUM AND STAINLESS STEEL CONNECTIONS
- WIDE RANGE OF ACCESSORIES
- MINIMAL MAINTENANCE
- LONG SERVICE LIFE

## MPB COMPACT SERIES 1200 VARIABLE AREA FLOWMETER

<p><b>Chassis:</b> Anodised aluminium to BSEN12373/AA25</p> <p><b>End Blocks:</b> Ni plated brass 303 Stainless steel Anodised aluminium alloy</p> <p><b>Process Connections:</b> 1/4" BSPFF, or 1/4" NPTF rear facing 1/4" BSPFF, or 1/4" NPTF straight through</p> <p><b>Valve Stem:</b> Stainless steel</p> <p><b>Cover:</b> Polycarbonate</p> <p><b>Seals:</b> Nitrile, Viton, EPDM, etc</p> <p><b>Metering Tube:</b> Borosilicate glass (93mm long)</p> <p><b>Scale:</b> Permanently fired black ceramic</p>	<p><b>Plumb Bob Floats:</b> Hard anodised aluminium 316 Stainless Steel</p> <p><b>Ball Floats:</b> Glass, Stainless steel, Ceramic, Ruby, Tungsten</p> <p><b>Weight:</b> 600 grams</p> <p><b>Maximum Working Pressure:</b> Gas: up to 20 bar g (non-shock) Liquid: up to 20 bar g (non-shock)</p> <p><b>Maximum Working Temperature:</b> 60°C Nitrile 100°C Viton</p> <p><b>Accuracy:</b> ± 5% FSD predicted ± 2% FSD series calibrated</p>
---	---

### STANDARD RANGES

1200 COMPACT SERIES 93mm TUBE LENGTH	
AIR @ 1013 mbar abs 20°C	WATER @ 20°C
5 – 50cc/min	-
10 – 100cc/min	-
25 – 250cc/min	5 – 50cc/min
50 – 500cc/min	10 – 100cc/min
100 – 1000cc/min	25 – 250cc/min
0.25 – 2.5 L/min	50 – 500cc/min
0.5 – 5 L/min	60 – 600cc/min
1 – 10 L/min	100 – 1000cc/min
2.5 – 25 L/min	
4 – 40 L/min	
10 – 100 L/min	
12 – 120 L/min	
15 – 150 L/min	

Customised flow ranges are available.  
Please consult MPB Industries to select the required flow range for the process fluid used.

*MPB Industries Ltd - Designers and Manufacturers of Scientific and Process Control Instrumentation*

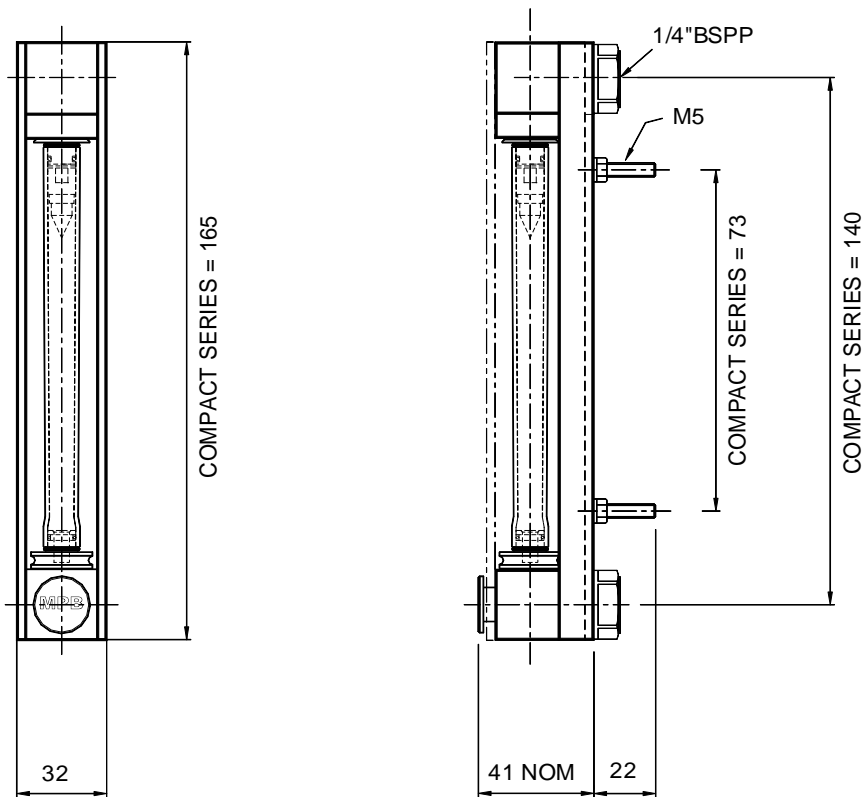
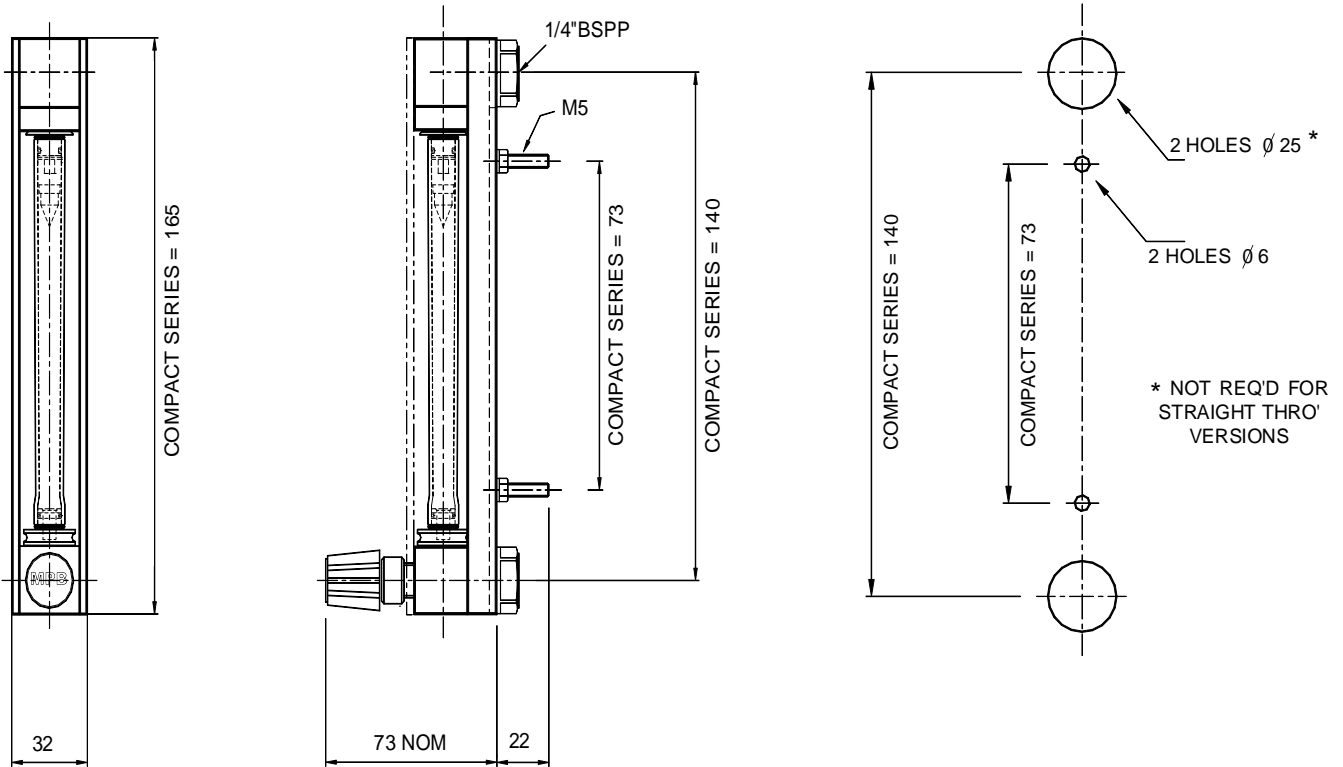
Part of the Scientific Digital Imaging plc (SDI) group of companies  
Unit 1 Branbridges Ind Est, East Peckham, Kent TN12 5HF, UK, Tel: +44 (0)1622 872401  
mail@mpbflowmeters.com, www.mpbflowmeters.com



Due to the constant development and improvement of products, information may be altered or withdrawn without notice.

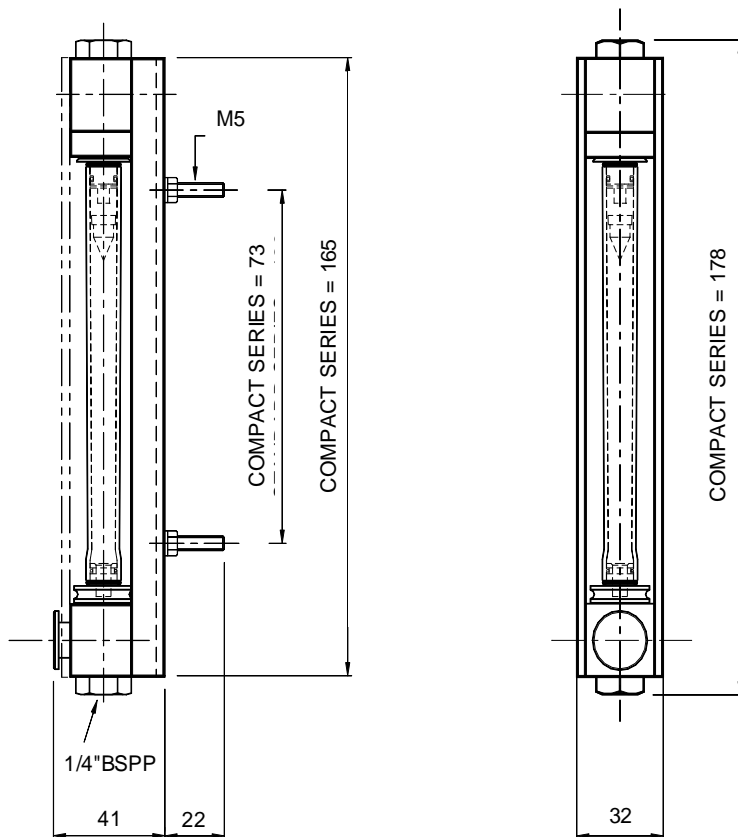
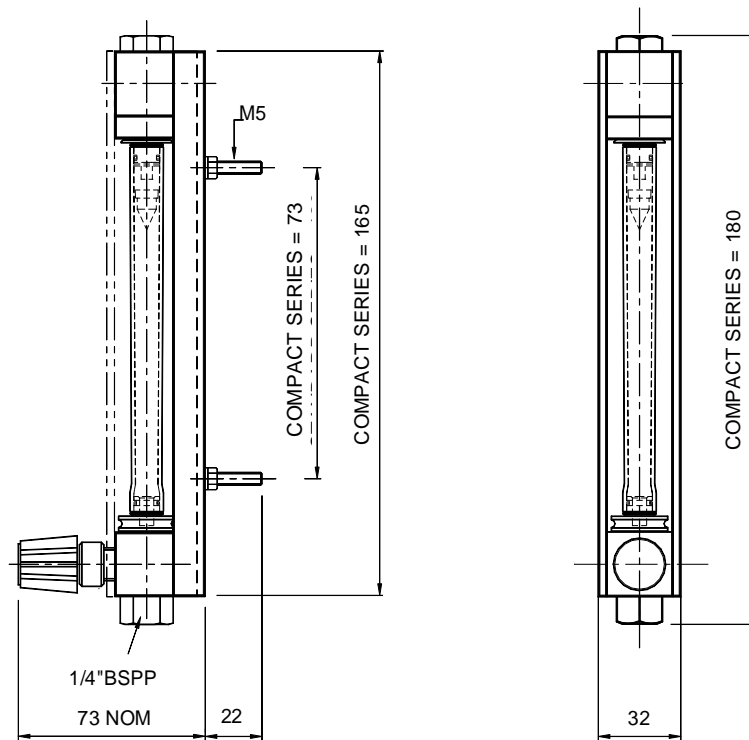
# COMPACT 1200 VARIABLE AREA FLOWMETER DIMENSIONS REAR FACING VERSION

1200 SERIES-REAR ENTRY  
CUTOUT DETAIL



Due to the constant development and improvement of products, information may be altered or withdrawn without notice.

# COMPACT 1200 VARIABLE AREA FLOWMETER DIMENSIONS STRAIGHT THROUGH VERSION



Please contact MPB Sales Office for separate sheet detailing panel cut outs for rear of panel mounted flowmeters.

Due to the constant development and improvement of products, information may be altered or withdrawn without notice.