

## MPB SERIES 1200 VARIABLE AREA FLOWMETER

### GENERAL INFORMATION

The MPB Series 1200 is an industry standard and widely used flowmeter. It is normally front of panel mounted, but can also be rear of panel mounted and supplied complete with bezel and mounting kit.

The MPB Series 1200 Flowmeter is produced in three standard lengths:-

**1200 Long**, which has a flow tube length of 295mm, is for use where high resolution scale accuracy is required.  
See technical bulletin MPBTB 086.

**1200 Standard**, which has a flow tube length of 138mm, universal standard tube length.

**1200 Compact**, which has a flow tube length of 93mm, is for use where space is at a premium.  
See technical bulletin MPBTB 113.

The MPB1200 Series Flowmeter will give an instantaneous flow rate of virtually any process gas or liquid.

The MPB 1200 Series Flowmeter can be supplied with either nickel plated brass, anodised aluminium alloy, or stainless steel connections.

These can be supplied with straight through, or rear facing connections, with or without integral control valves.



### MPB SERIES 1200 FEATURES

- RANGE OF STANDARD FLOW RATES
- VALVED, OR NON-VALVED VERSIONS AVAILABLE
- STRAIGHT THROUGH, OR REAR FACING CONNECTIONS
- BEZEL AND MOUNTING KIT AVAILABLE FOR ALL VERSIONS
- FRICTIONLESS, HENCE LOW HEAD LOSS
- ELEGANT AND ROBUST DESIGN
- EASY TO READ SCALE
- EASY IN-SITU TUBE REMOVAL AND RE-INSTALLATION
- SUITABLE FOR FRONT, OR REAR OF PANEL MOUNTING
- POLYCARBONATE SAFETY COVER
- STANDARD OR CUSTOMISED FLOW SCALES
- ALARM POINT SIGNALS
- INTRINSICALLY SAFE VERSION
- DIRECT READING OF INSTANTANEOUS FLOW RATE
- NICKEL PLATED BRASS, ANODISED ALUMINIUM AND STAINLESS STEEL CONNECTIONS
- WIDE RANGE OF ACCESSORIES
- MINIMAL MAINTENANCE
- LONG SERVICE LIFE

## MPB SERIES 1200 FLOWMETER

<p><b>Chassis:</b> Anodised aluminium to BSEN12373/AA25</p> <p><b>End Blocks:</b> Ni plated brass 303 Stainless steel Anodised aluminium alloy</p> <p><b>Process Connections:</b> 1/4" BSPFF, or 1/4" NPTF rear facing 1/4" BSPFF, or 1/4" NPTF straight through</p> <p><b>Valve Stem:</b> Stainless steel</p> <p><b>Cover:</b> Polycarbonate</p> <p><b>Seals:</b> Nitrile, Viton, EPDM, etc</p> <p><b>Metering Tube:</b> Borosilicate glass (93mm long)</p> <p><b>Scale:</b> Permanently fired black ceramic</p>	<p><b>Plumb Bob Floats:</b> Hard anodised aluminium 316 Stainless Steel</p> <p><b>Ball Floats:</b> Glass, Stainless steel, Ceramic, Ruby, Tungsten</p> <p><b>Weight:</b> 620 grams</p> <p><b>Maximum Working Pressure:</b> Gas: up to 20 bar g (non-shock) Liquid: up to 20 bar g (non-shock)</p> <p><b>Maximum Working Temperature:</b> 60°C Nitrile 100°C Viton</p> <p><b>Accuracy:</b> ± 5% FSD predicted ± 2% FSD series calibrated</p>
---	---

### STANDARD RANGES

1200 STANDARD SERIES 138mm TUBE LENGTH	
AIR @ 1013 mbar abs 20°C	H2O @ 20°C
5 – 50cc/min	5 – 50cc/min
10 – 100cc/min	10 – 100cc/min
25 – 250cc/min	25 – 250cc/min
50 – 500cc/min	50 – 500cc/min
0.1 – 1 L/min	0.1 – 1 L/min
0.25 – 2.5 L/min	0.2 – 2 L/min
0.5 – 5 L/min	0.3 – 3 L/min
1 – 10 L/min	0.5 – 5 L/min
1.5 – 15 L/min	0.75 – 7.5 L/min
2.5 – 25 L/min	1 – 10 L/min
5 – 50 L/min	
10 – 100 L/min	
15 – 150 L/min	



MPB Series 1200SVA fitted with IS ring sensor

Customised flow ranges are available.  
Please consult MPB Industries to select the required flow range for the process fluid used.

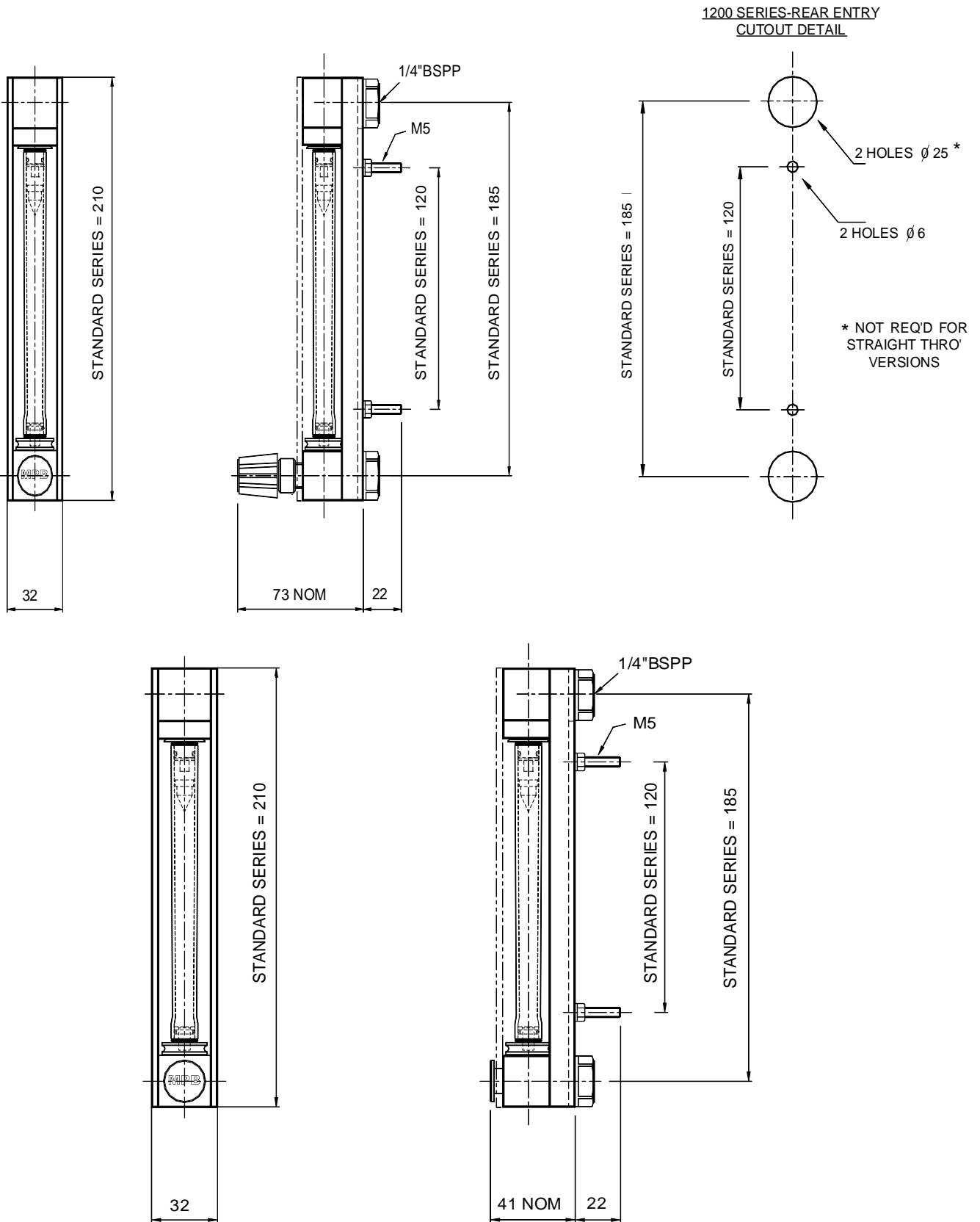
*MPB Industries Ltd - Designers and Manufacturers of Scientific and Process Control Instrumentation*

Part of the Scientific Digital Imaging plc (SDI) group of companies  
Unit 1 Branbridges Ind Est, East Peckham, Kent TN12 5HF, UK, Tel: +44 (0)1622 872401  
mail@mpbflowmeters.com, www.mpbflowmeters.com



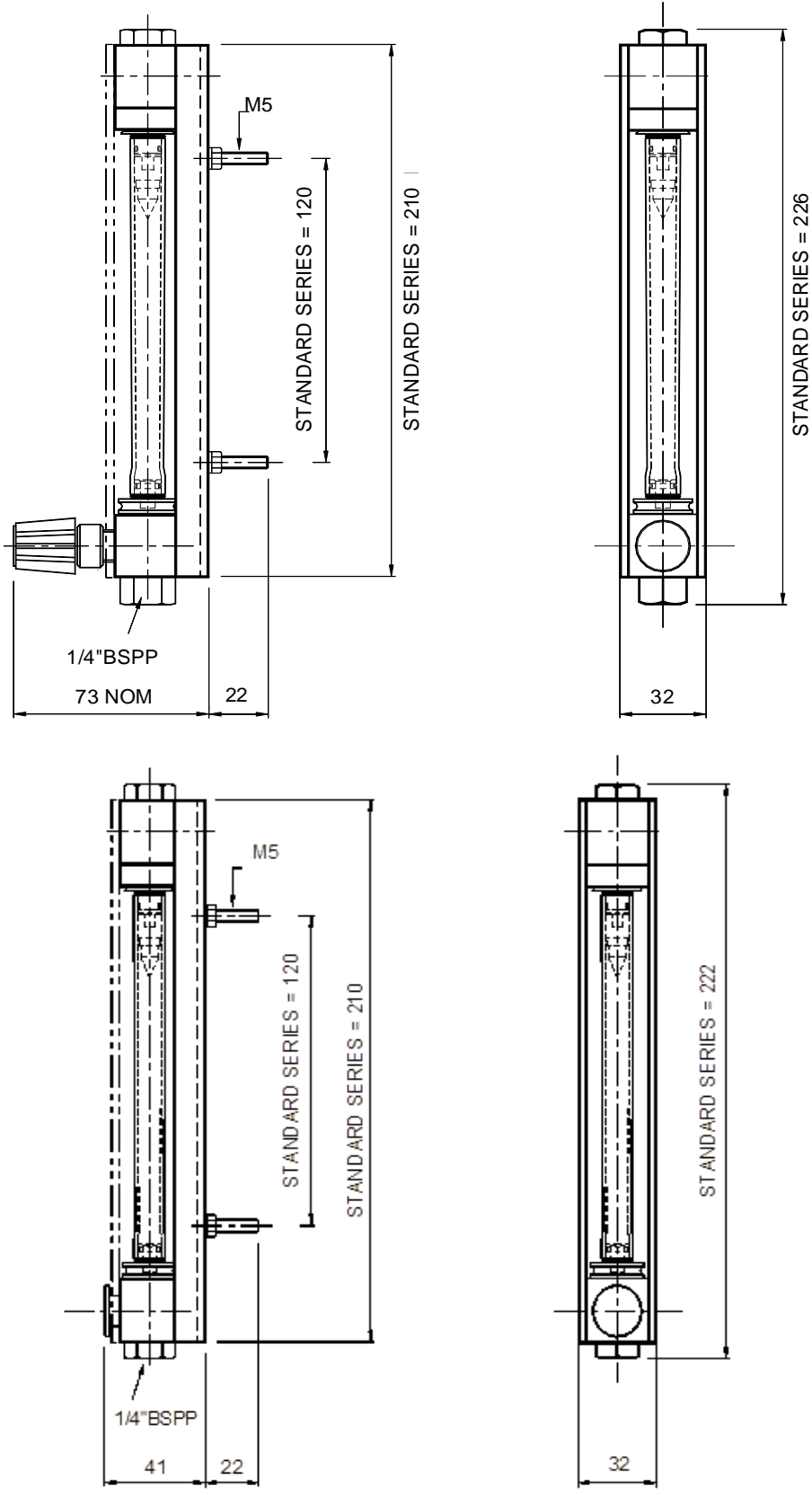
Due to the constant development and improvement of products, information may be altered or withdrawn without notice.

# 1200 VARIABLE AREA FLOWMETER DIMENSIONS REAR FACING VERSION



Due to the constant development and improvement of products, information may be altered or withdrawn without notice.

# 1200 VARIABLE AREA FLOWMETER DIMENSIONS STRAIGHT THROUGH VERSION



Due to the constant development and improvement of products, information may be altered or withdrawn without notice.