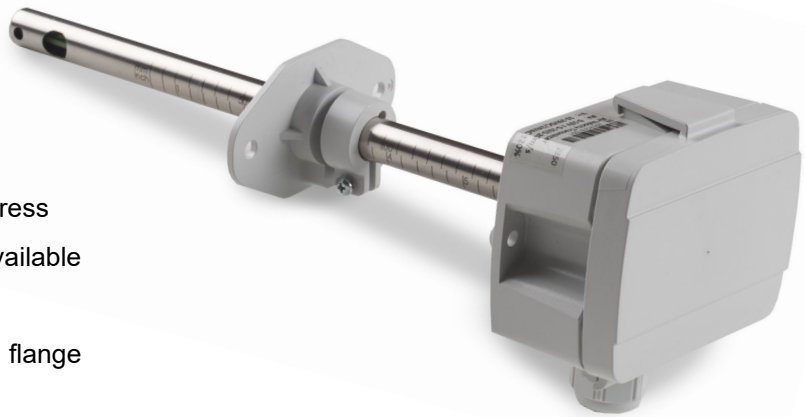


DUCT AIR FLOW SENSOR

Duct transmitter for air velocity with adjustable length probe



FEATURES

- High accuracy and long term stability
- Resistance to pollution and mechanical stress
- Duct mount and remote probe versions available
- Analog 0-10V output signal
- Easy installation with adjustable mounting flange
- Field selectable ranges
- Clearly marked depth measurement markings on probe
- CE & RoHS compliant
- 5 year limited warranty
- Made in the Netherlands

GENERAL INFORMATION

Air velocity transmitters are dedicated for accurate and reliable measurements in building automation and ventilation applications. Transmitters employ sensor element which operates on the thermal anemometer principle based on thin film technology.

The Tasseron Air Flow sensors offer two field selectable measuring ranges: 0...10 m/s (0...2000ft/min) and 0...20 m/s (0...4000ft/min). The ranges are preset to the desired range able to be easily changed. The output signal is fixed analog 0-10V for the programmed range.

The probe is clearly marked with measurements for accurate installation. The sensor is also equipped with an adjustable mounting flange to allow for proper depth installation depending on the application requirements.

SPECIFICATIONS

General:

Operating Range:	-10...50°C / 23...122°F
Supply Voltage:	19-29VDC or 24VAC±20%
Supply Current DC:	70mA
Supply Current AC:	170mA _{eff}
Power Consumption:	3VA for 24VAC, 3W for 24VDC (peak);

SPECIFICATIONS CONT.

Enclosure Rating:	IP65; NEMA 4X, remote probe IP20
Enclosure Material:	PC/ABS UL 94 V-0, UV resistant injection-molded
Cover:	Removable Quick snap/hinged cover
Probe:	AISI 316L; 8in. Length (205mm), 12mm diameter
Mounting:	Duct, M16 cable inlet
Connection:	AWG 30-16 (max 1.5mm ²) spring-loaded, Quick Connect wire terminals
Output Signal:	Analog 0-10V
Measurement Range 1:	0...10m/s; 0...2000ft/min. (selectable)
Measurement Range 2:	0...20m/s; 0...4000ft/min. (selectable)
Accuracy:	0.2 m/s + 3% measured value (@20°C, 45% RH, 1013 hPa)
Response Time:	t90 <4 sec
Warm Up Time:	< 1 minute
Sensing Technology:	Thermal anemometer thin film
Working temperature probe:	-25...+50 °C (-13...122 °F)
Working temperature electronics:	-10...+50 °C (14...122 °F)
Storage temperature:	-30 °C ...+60 °C (-22 °F...158 °F)
Working / Storage humidity:	5%...95% RH, no condensation\
Terminal Assignment:	1—V+ 2—GND 3—GND 4—AV
Approval:	CE, REACH & RoHS compliant
Warranty:	5 year limited warranty
Accessories:	1/2" NPT Conduit Adapter M16 Cable Gland Adjustable Depth Mounting Flange

ORDERING INFORMATION

THFDEA0C—DUCT AIR FLOW 0...10m/s (0...2000ft/min), 0-10V

THFDEB0C—DUCT AIR FLOW 0...20m/s (0...4000ft/min), 0-10V

THFMA1C—REMOTE AIR FLOW 0...10m/s (0...2000ft/min), 1m CABLE, 0-10V

THFMB1C—REMOTE AIR FLOW 0...20m/s (0...4000ft/min), 1m CABLE, 0-10V

MOUNTING AND DIMENSIONS

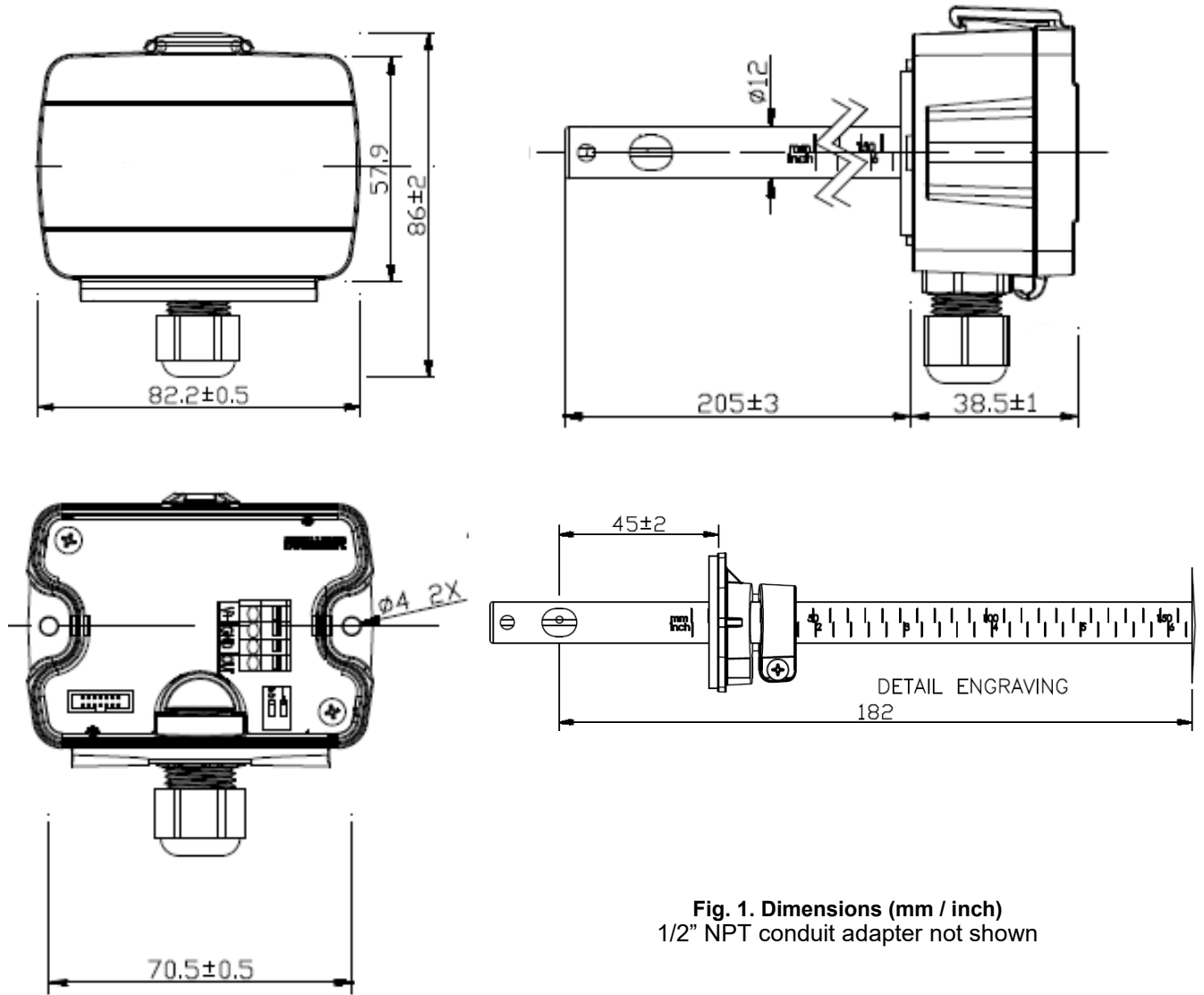


Fig. 1. Dimensions (mm / inch)
1/2" NPT conduit adapter not shown